

CONSULTANT
CHEF'S TOYS DESIGN GROUP
2000 Cowan Ave
Los Angeles, CA 90044
Tel: 310.666.0100
Fax: 310.666.0101
cheftoysgroup.com

Tarantula Hill Brewing Company

244 E. Thousand Oaks Blvd
Thousand Oaks, CA 91360

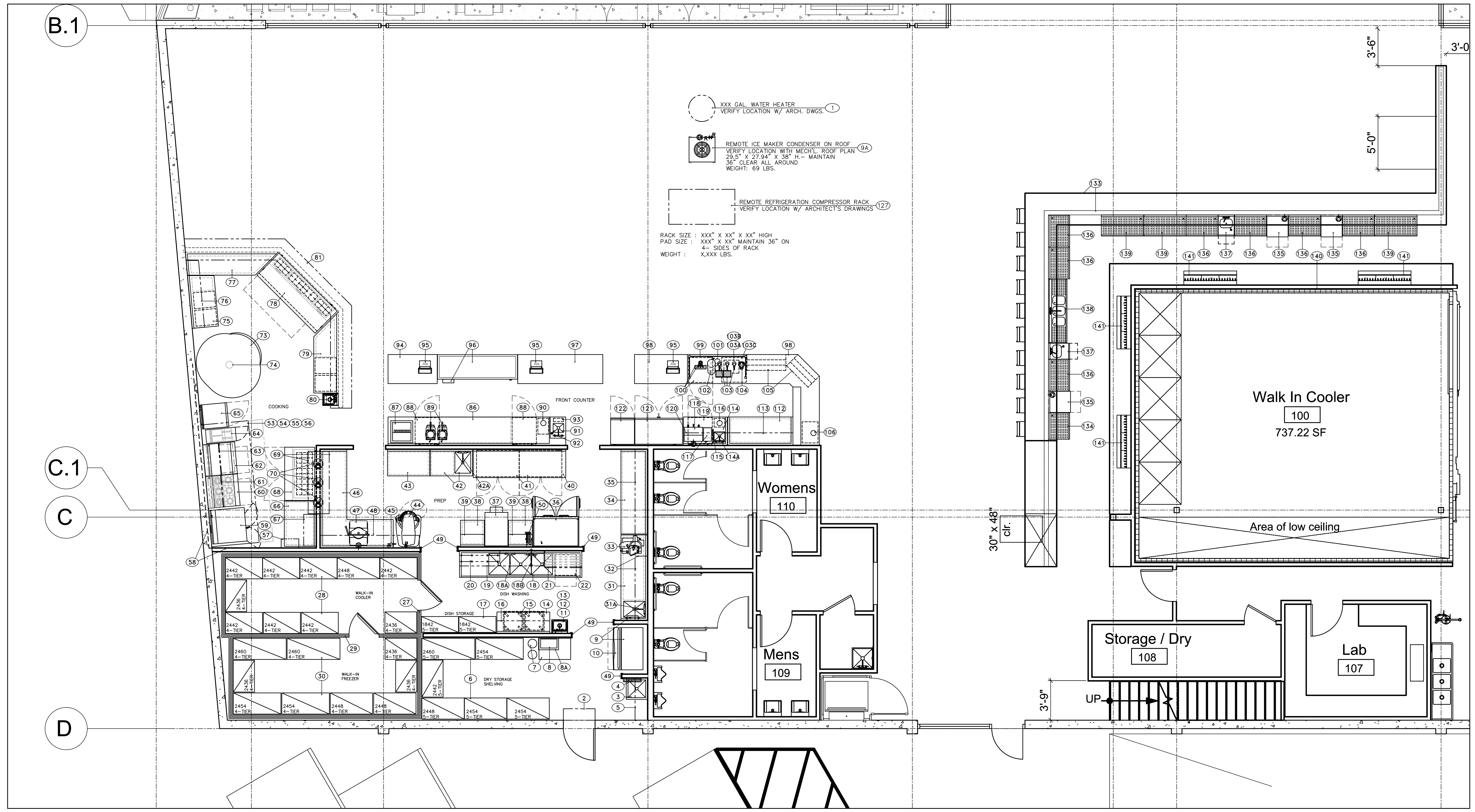
REVISION / MILESTONE SCHEDULE:	Revision Description	Date
1	ISSUED FOR PLANNING REVIEW	2018-04-25
2	ISSUED FOR PLAN CHECK	2018-04-25
3	TOBS	TOP
4	TOBS	TOP

STAMP	
This document, and the ideas and designs incorporated herein, are an instrument of professional service in the project of Rubenstein Architects Inc. and is not to be used in whole or in part for any project other than the one specified herein without the written authorization of Rubenstein Architects Inc. This document shall not be reproduced or modified in any way without the expressed written consent of Rubenstein Architects Inc. All drawings, specifications as well as the ideas and concepts described herein are under the protection of all applicable copyright laws.	
Status:	Project Status
Project Issue Date:	6/21/2018 10:13:04 AM
Scale:	1/4" = 1'-0"
Drawn by:	Author
Project Number:	17520

First Floor -
Equipment Floor Plan

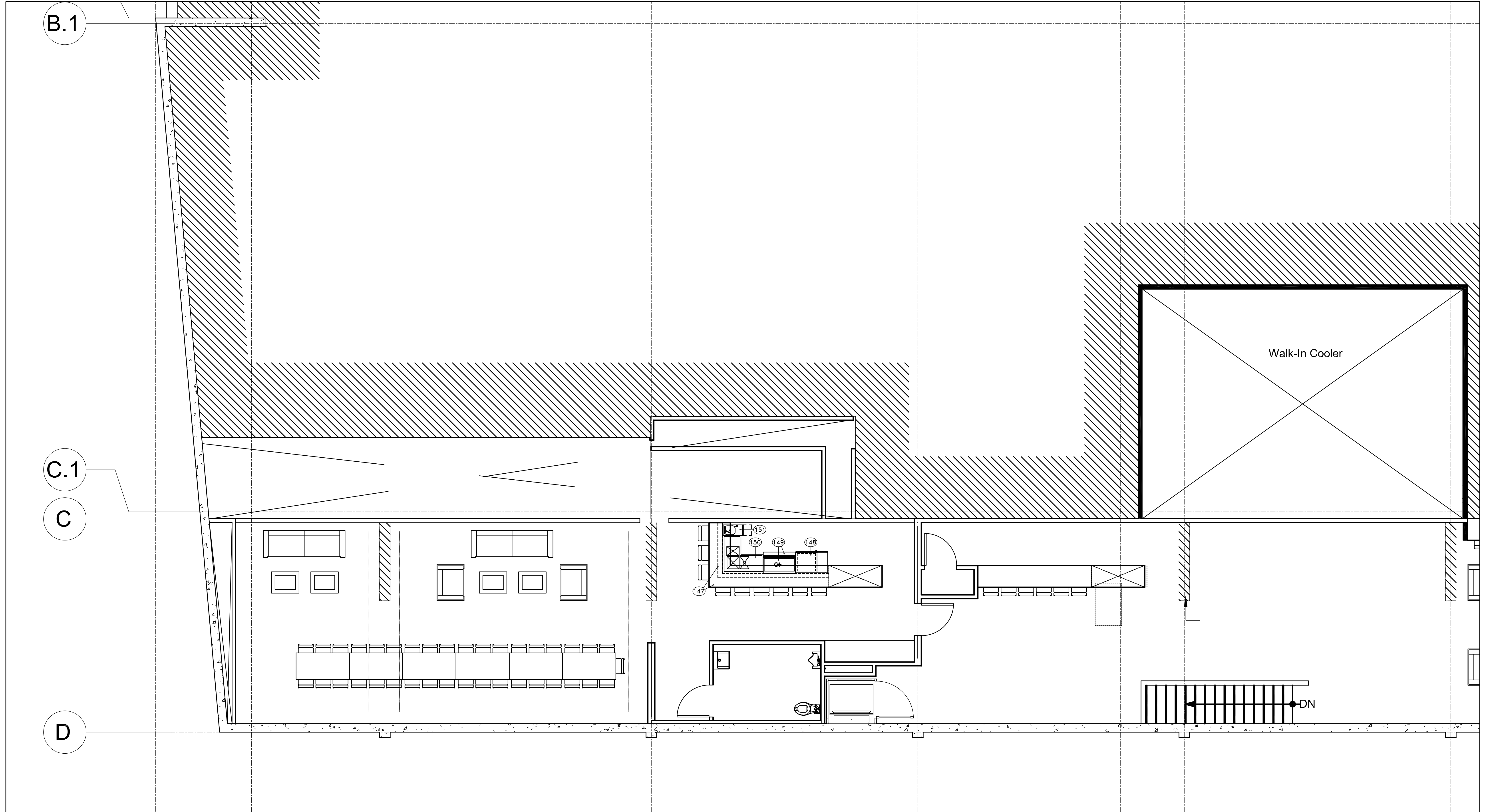
K-1.0

NOT FOR CONSTRUCTION



First Floor Plan
1/4" = 1'-0"

B:\17520_Tarantula Hill Brewing Company\17520_Tarantula Hill Brewing Company_01_00.rvt



Second Floor Plan
1/4" = 1'-0"

Rubenstein Architects

413 Main Street, El Segundo, CA 90245
310.440.1100
www.rubensteinarchitects.com

CONSULTANT
CHEF'S TOYS DESIGN GROUP
2000 Compton Ave., Suite 100
Los Angeles, CA 90007
310.666.1000
cheftoysgroup.com

Tarantula Hill Brewing Company
244 E. Thousand Oaks Blvd
Thousand Oaks, CA 91360

REVISION / MILESTONE SCHEDULE:	No.	Date	Description
ISSUED FOR PLANNING REVIEW		2018-05-25	TOP
ISSUED FOR PLAN CHECK		2018-05-25	TOP

STAMP

This document, and the ideas and designs incorporated herein, are the property of Rubenstein Architects Inc. and are not to be used in whole or in part for any project other than the one identified herein without the written authorization of Rubenstein Architects Inc. All drawings, specifications as well as the ideas and concepts described herein are under the protection of all applicable copyright laws.

Status: Project Status
Project Issue Date: 6/21/2018 10:13:04 AM
Scale: 1/4" = 1'-0"
Drawn by: Author
Project Number: 17520

Second Floor -
Equipment Floor Plan

K-1.1

NOT FOR CONSTRUCTION

BIM 360/17520 Tarantula Hill Brewing Company/17520_TarantulaHillBrewingCompany_401_00.rvt

Table with columns: EQUIPMENT AND UTILITY SCHEDULE, EQUIPMENT, ITEM, DESCRIPTION, QTY, MANUFACTURE/MODEL NO., REMARKS, PLUMBING (HW, CW, FUEL GAS, WASTE), ELECTRICAL (VOLT., KW, AMPS, HP, PH, CONN., DIRECT/OUTLET, REMARKS). Includes items like HOT WATER HEATER, AIR CURTAIN, MOP SINK, S/S CHEMICAL STORAGE SHELF, etc.

Table with columns: EQUIPMENT AND UTILITY SCHEDULE, EQUIPMENT, ITEM, DESCRIPTION, QTY, MANUFACTURE/MODEL NO., REMARKS, PLUMBING (HW, CW, FUEL GAS, WASTE), ELECTRICAL (VOLT., KW, AMPS, HP, PH, CONN., DIRECT/OUTLET, REMARKS). Includes items like S/S PASS SHELF, SPARE NUMBER, S/S CHEMICAL STORAGE SHELF, etc.

Rubenstein Architects

CHEF'S TOYS DESIGN GROUP logo and contact information.

Tarantula Hill Brewing Company logo and address: 244 E. Thousand Oaks Blvd, Thousand Oaks, CA 91360.

Revision table with columns: No., Date, Description, To, From, Status. Includes revisions for PLAN CHECK, PLANNING REVIEW, and ISSUED FOR CONSTRUCTION.

STAMP area with fields for Status, Project Issue Date (6/21/2018 10:13:04 AM), Scale (No Scale), Drawn by, Author, and Project Number (17520).

Equipment Schedule

K-2.0

NOT FOR CONSTRUCTION

437 Main Street, #1000, San Francisco, CA 94105

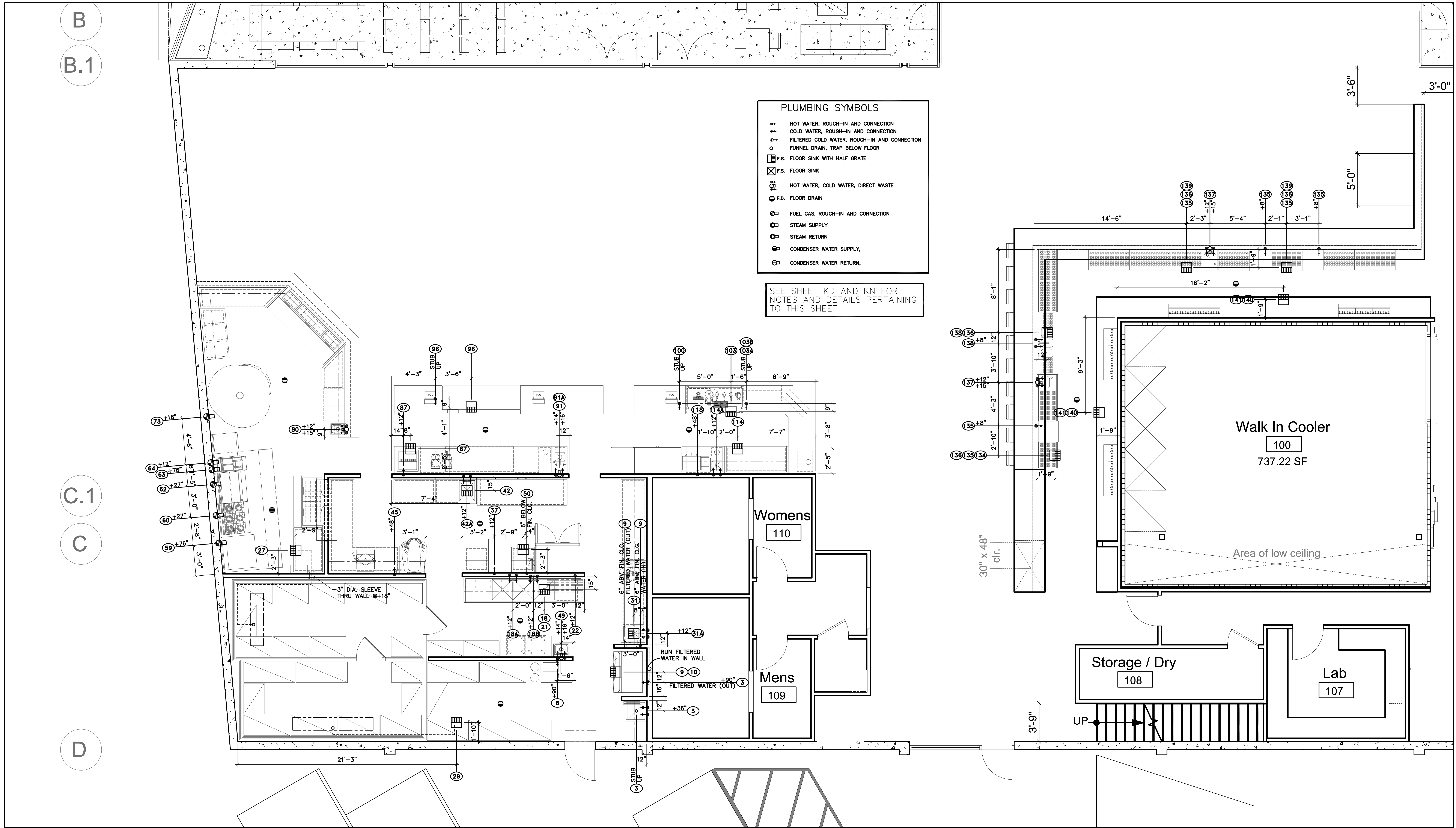
www.rubensteinarchitects.com

CONSULTANT

REVISION MILESTONE SCHEDULE

This document, and the ideas and designs incorporated herein, are the property of Rubenstein Architects Inc. and are not to be used in whole or in part for any project other than the one specified herein without the written consent of Rubenstein Architects Inc. All drawings, specifications, and notes are the property of Rubenstein Architects Inc. and are not to be reproduced or modified in any way without the written consent of Rubenstein Architects Inc. All drawings, specifications, and notes are the property of Rubenstein Architects Inc. and are not to be reproduced or modified in any way without the written consent of Rubenstein Architects Inc.

BW 360/17520 Tarantula Hill Brewing Company/17520_TarantulaHillBrewingCompany_01_00.rvt



PLUMBING SYMBOLS

- ↔ HOT WATER, ROUGH-IN AND CONNECTION
- ↔ COLD WATER, ROUGH-IN AND CONNECTION
- ↔ FILTERED COLD WATER, ROUGH-IN AND CONNECTION
- FUNNEL DRAIN, TRAP BELOW FLOOR
- F.S. FLOOR SINK WITH HALF GRATE
- F.S. FLOOR SINK
- ↔ HOT WATER, COLD WATER, DIRECT WASTE
- F.D. FLOOR DRAIN
- FUEL GAS, ROUGH-IN AND CONNECTION
- STEAM SUPPLY
- STEAM RETURN
- CONDENSER WATER SUPPLY,
- CONDENSER WATER RETURN,

SEE SHEET KD AND KN FOR NOTES AND DETAILS PERTAINING TO THIS SHEET

First Floor Plumbing Plan 1/4" = 1'-0"

Rubenstein Architects

433 N. Street, El Segundo, CA 90245
310.324.1144
www.rubensteinarchitects.com

CHEF'S TOYS DESIGN GROUP
CONSULTANT
2000 Wilshire Blvd., Suite 1000
Los Angeles, CA 90024
Tel: 310.666.0100
Fax: 310.666.0101
cheftoysoy.com

Tarantula Hill Brewing Company
244 E. Thousand Oaks Blvd
Thousand Oaks, CA 91360

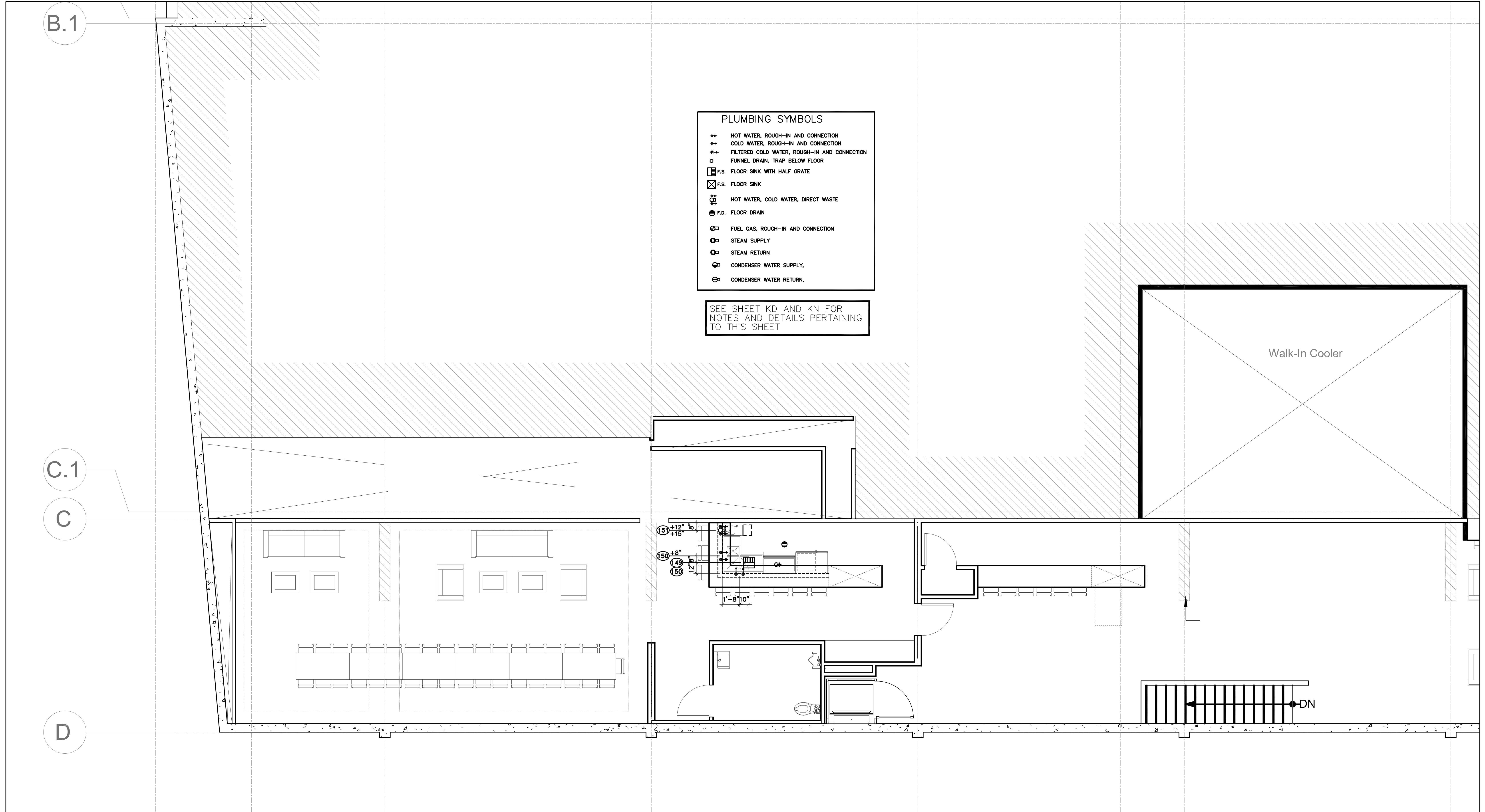
REVISION / MILESTONE SCHEDULE:	No.	Date	Description
ISSUED FOR PLANNING CHECK		2018/06/25	TOBS
ISSUED FOR PLANNING REVIEW		2018/06/26	TOP

STAMP	
This document, and the ideas and designs incorporated herein, are an instrument of professional service in the practice of Rubenstein Architects Inc. and is not to be used in whole or in part for any project other than the one specified herein without the written authorization of Rubenstein Architects Inc. This document shall not be reproduced or modified in any way without the expressed written consent of Rubenstein Architects Inc. All drawings, specifications as well as the ideas and concepts described herein are under the protection of all applicable copyright laws.	
Status:	Project Status
Project Issue Date:	6/21/2018 10:13:04 AM
Scale:	1/4" = 1'-0"
Drawn by:	Author
Project Number:	17520

First Floor - Plumbing Requirement Plan

K-3.0

NOT FOR CONSTRUCTION



- PLUMBING SYMBOLS**
- HOT WATER, ROUGH-IN AND CONNECTION
 - ← COLD WATER, ROUGH-IN AND CONNECTION
 - FILTERED COLD WATER, ROUGH-IN AND CONNECTION
 - FUNNEL DRAIN, TRAP BELOW FLOOR
 - F.S. FLOOR SINK WITH HALF GRATE
 - ⊗ F.S. FLOOR SINK
 - HOT WATER, COLD WATER, DIRECT WASTE
 - ⊙ F.D. FLOOR DRAIN
 - FUEL GAS, ROUGH-IN AND CONNECTION
 - STEAM SUPPLY
 - STEAM RETURN
 - CONDENSER WATER SUPPLY
 - CONDENSER WATER RETURN

SEE SHEET KD AND KN FOR NOTES AND DETAILS PERTAINING TO THIS SHEET

Second Floor Plumbing Plan
1/4" = 1'-0"

CONSULTANT

CHEF'S TOYS
DESIGN GROUP

2000 Ocean Ave. #1004
Los Angeles, CA 90044
310.666.1000
ICP 17182821
chefstoyz.com

Tarantula Hill Brewing Company

244 E. Thousand Oaks Blvd
Thousand Oaks, CA 91360

REVISION MILESTONE SCHEDULE:	No.	Date
ISSUED FOR PLAN CHECK	TOBS	2018-05-25
ISSUED FOR PLANNING REVIEW	TOP	2018-05-08

STAMP

This document, and the ideas and designs incorporated herein, are an instrument of professional service in the project of Rubenstein Architects Inc. and is not to be used in whole or in part for any project other than the one described herein without the written authorization of Rubenstein Architects Inc. This document shall not be reproduced or modified in any way without the expressed written consent of Rubenstein Architects Inc. All drawings, specifications as well as the ideas and concepts described herein are under the protection of all applicable copyright laws.

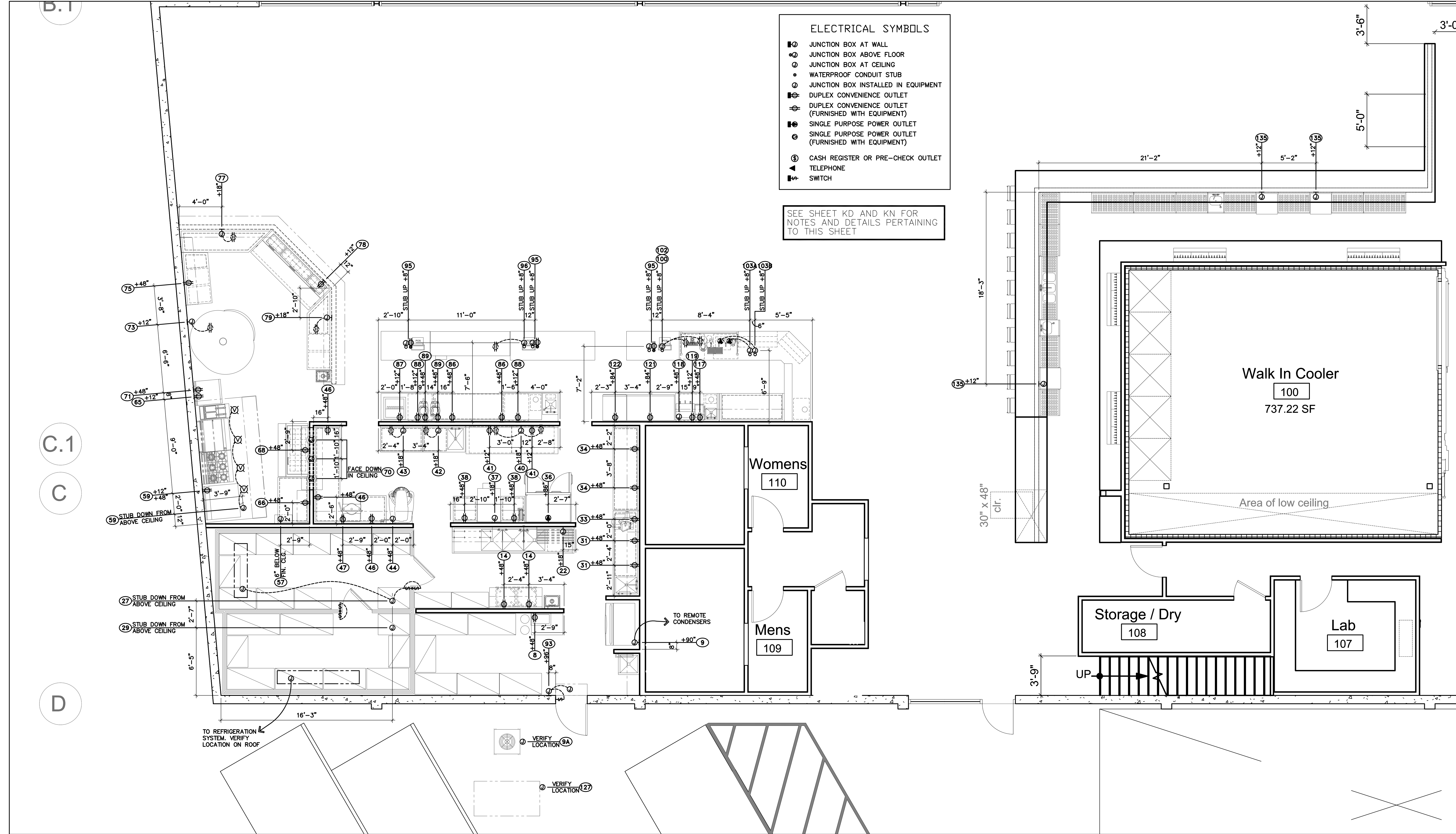
Status:	Project Status
Project Issue Date:	6/21/2018 10:13:04 AM
Scale:	1/4" = 1'-0"
Drawn by:	Author
Project Number:	17520

Second Floor - Plumbing Requirement Plan

K-3.1

NOT FOR CONSTRUCTION

B:\360\17520 Tarantula Hill Brewing Company\17520_TarantulaHillBrewingCompany_01_00.rvt



First Floor Electrical Plan
1/4" = 1'-0"

CHEF'S TOYS DESIGN GROUP
2800 Compton Ave
Los Angeles, CA 90004
310.666.0100
L.P. RUBINSTEIN
Chief Architect
Chief@rta.com

Tarantula Hill Brewing Company
244 E. Thousand Oaks Blvd
Thousand Oaks, CA 91360

No.	Date	Revision Description
1	2018-06-26	ISSUED FOR PLAN CHECK
2	2018-06-26	ISSUED FOR PLANNING REVIEW

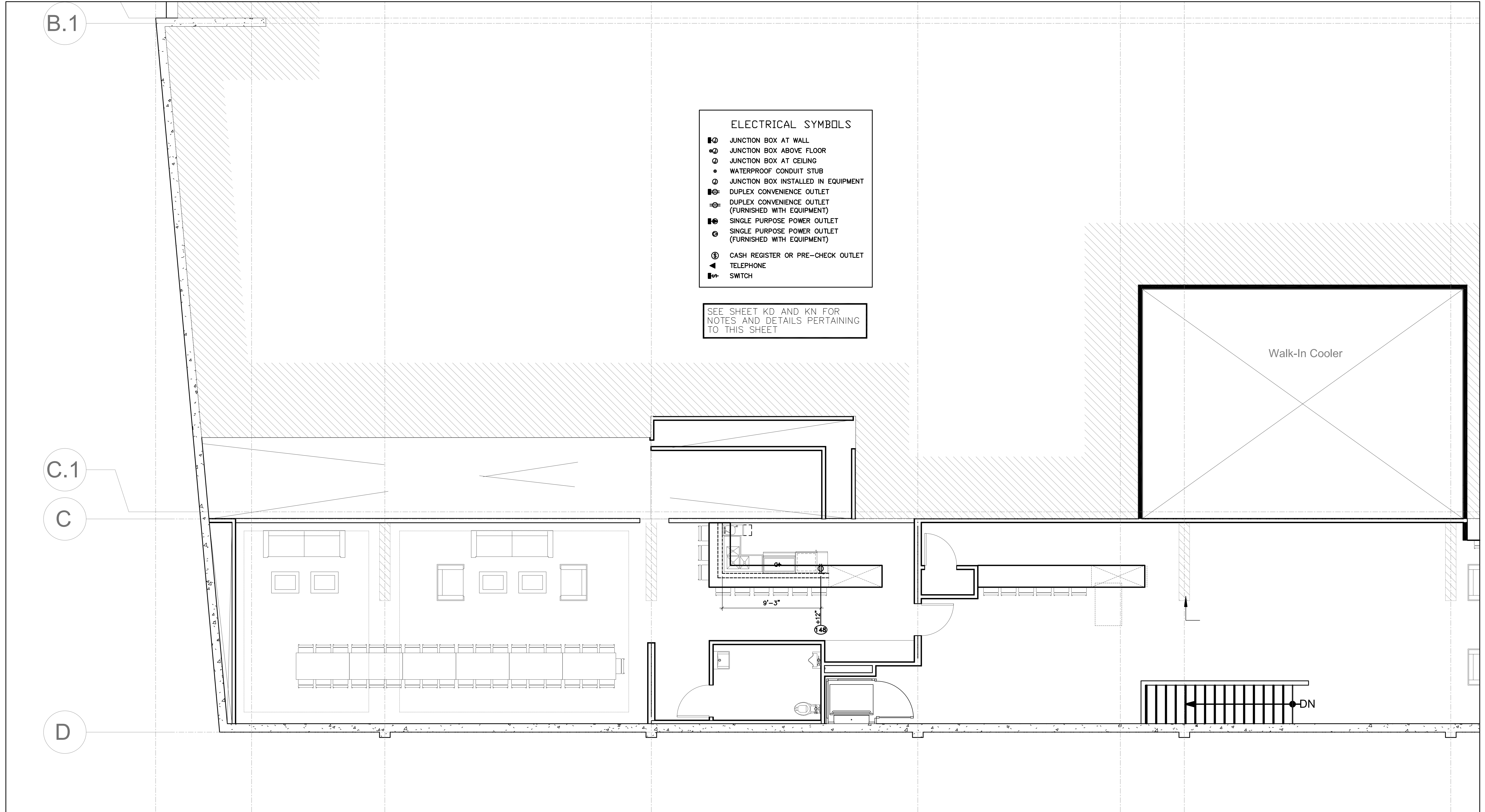
No.	Date	Revision Description
1	2018-06-26	ISSUED FOR PLAN CHECK
2	2018-06-26	ISSUED FOR PLANNING REVIEW

First Floor - Electrical Requirement Plan

K-4.0

NOT FOR CONSTRUCTION

B:\17520_Tarantula Hill Brewing Company\17520_Tarantula Hill Brewing Company_01_00.rvt



- ELECTRICAL SYMBOLS**
- ⊕ JUNCTION BOX AT WALL
 - ⊕ JUNCTION BOX ABOVE FLOOR
 - ⊕ JUNCTION BOX AT CEILING
 - WATERPROOF CONDUIT STUB
 - ⊕ JUNCTION BOX INSTALLED IN EQUIPMENT
 - ⊕ DUPLEX CONVENIENCE OUTLET
 - ⊕ DUPLEX CONVENIENCE OUTLET (FURNISHED WITH EQUIPMENT)
 - ⊕ SINGLE PURPOSE POWER OUTLET
 - ⊕ SINGLE PURPOSE POWER OUTLET (FURNISHED WITH EQUIPMENT)
 - ⊕ CASH REGISTER OR PRE-CHECK OUTLET
 - ☎ TELEPHONE
 - ⚡ SWITCH

SEE SHEET KD AND KN FOR NOTES AND DETAILS PERTAINING TO THIS SHEET

Second Floor Electrical Plan
1/4" = 1'-0"

Rubenstein
architects

413 Main Street, E. Segundo, CA 90245
310.441.1111
www.rubensteinarchitects.com

CONSULTANT

CHEF'S TOYS
DESIGN GROUP

7900 Center CA 9064
Los Angeles, CA 90047
310.666.1000
1017 102021
chefstoysgroup.com

Tarantula Hill Brewing Company

244 E. Thousand Oaks Blvd
Thousand Oaks, CA 91360

REVISION MILESTONE SCHEDULE:	No.	Date	Description
ISSUED FOR PLANNING REVIEW	1	2018-05-01	ISSUED FOR PLANNING REVIEW
ISSUED FOR PLAN CHECK	2	2018-05-25	ISSUED FOR PLAN CHECK
TOBS	TOP	2018-05-01	

STAMP

This document, and the ideas and designs incorporated herein, are an instrument of professional service in the project of Rubenstein Architects Inc. and is not to be used in whole or in part for any project other than the one identified herein without the written authorization of Rubenstein Architects Inc. This document shall not be reproduced or modified in any way without the expressed written consent of Rubenstein Architects Inc. All drawings, specifications as well as the ideas and concepts described herein are under the protection of all applicable copyright laws.

Status: Project Status
Project Issue Date: 6/21/2018 10:13:04 AM
Scale: 1/4" = 1'-0"
Drawn by: Author
Project Number: 17520

Second Floor - Electrical Requirement Plan

K-4.1

NOT FOR CONSTRUCTION

HOOD INFORMATION

HOOD NO.	MARK	MODEL	HOOD DIMENSIONS (IN.)			HOOD CONSTR.	COOKING LOAD / DUTY RATING	EXHAUST					SUPPLY		TOTAL WEIGHT LBS.	SECTION LOCATION	
			LENGTH	WIDTH	HEIGHT			TOTAL CFM	COLLAR(S)			MUA CFM	AC CFM				
1	ITEM 53 - EXHAUST HOOD	XXDW-139-S	139	54	24	430 SS WHERE EXPOSED	HEAVY	2600	9	25		2600	0.591	2080		509.667	SINGLE

HOOD INFORMATION

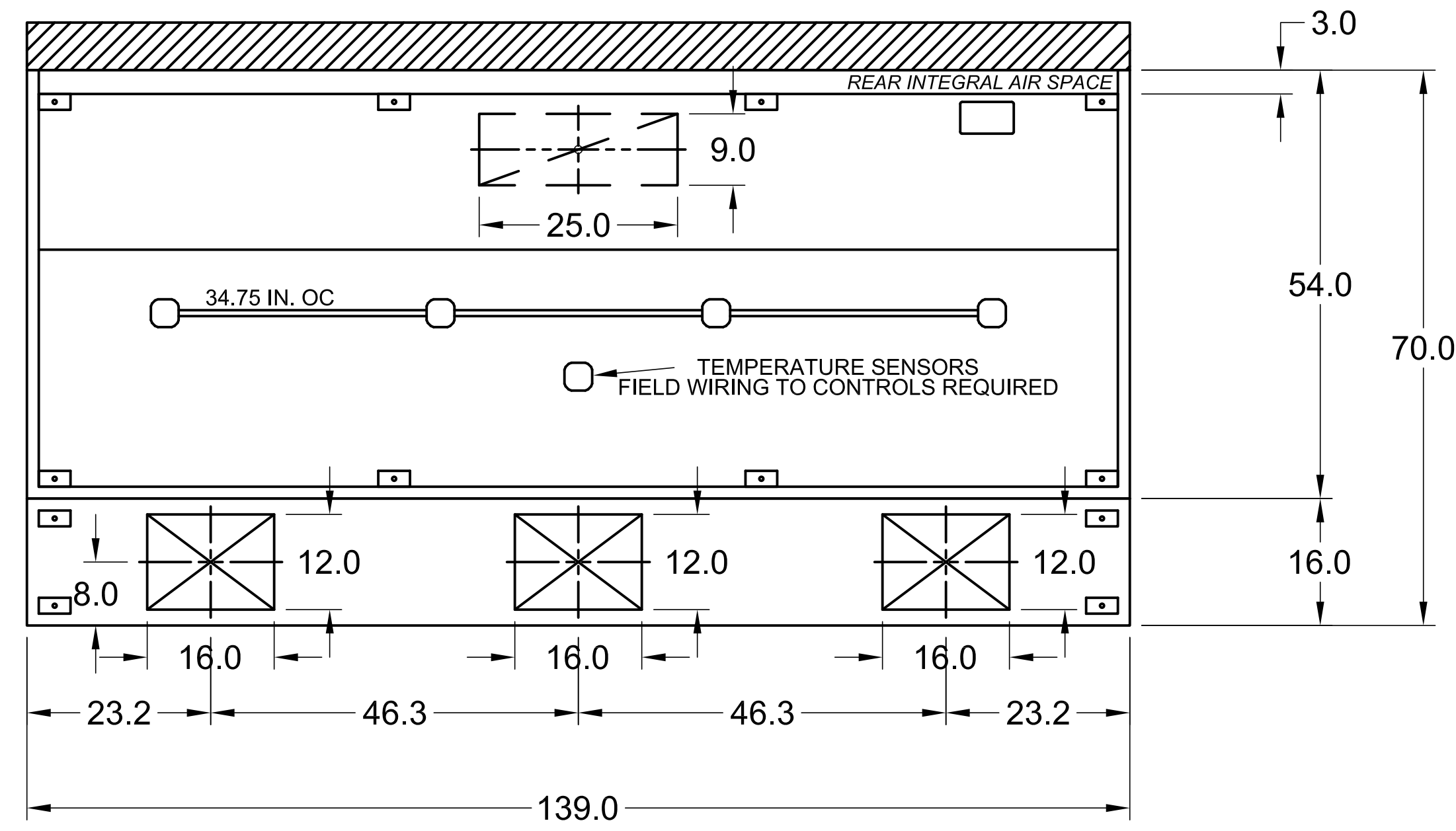
HOOD NO.	MARK	LIGHTING DETAILS			GREASE FILTRATION DETAILS			UTILITY CABINET(S)				
		FIXTURE TYPE BULB / LAMP INFO	QTY	FOOT CANDLES	TYPE / MODEL MATERIAL	QTY	SIZE (IN.) L H	LOCATION	FIRE SYSTEM TYPE	SIZE	MODEL	CONTROLS INTERFACE
1	ITEM 53 - EXHAUST HOOD	INCANDESCENT (GLOBE) 100W A19 (BULBS NOT INCL.)	4	43.84	X-TRACTOR STAINLESS STEEL	5	16 20					

SUPPLY PLENUM INFORMATION

HOOD NO.	MARK	POS.	TYPE	SIZE (IN.)			INSULATED	DAMPER(S)	LED LIGHT(S)		TOTAL CFM	COLLARS								
				L	W	H			SUPPLIED	QTY		TYPE	MOUNTING	QTY	W	L	DIA.	CFM	S.P.	VEL.
1	ITEM 53 - EXHAUST HOOD	FRONT	ASP	139	16	10	NO	NO	NO		2080	MUA	FACTORY	3	12	16		693	0.15	520

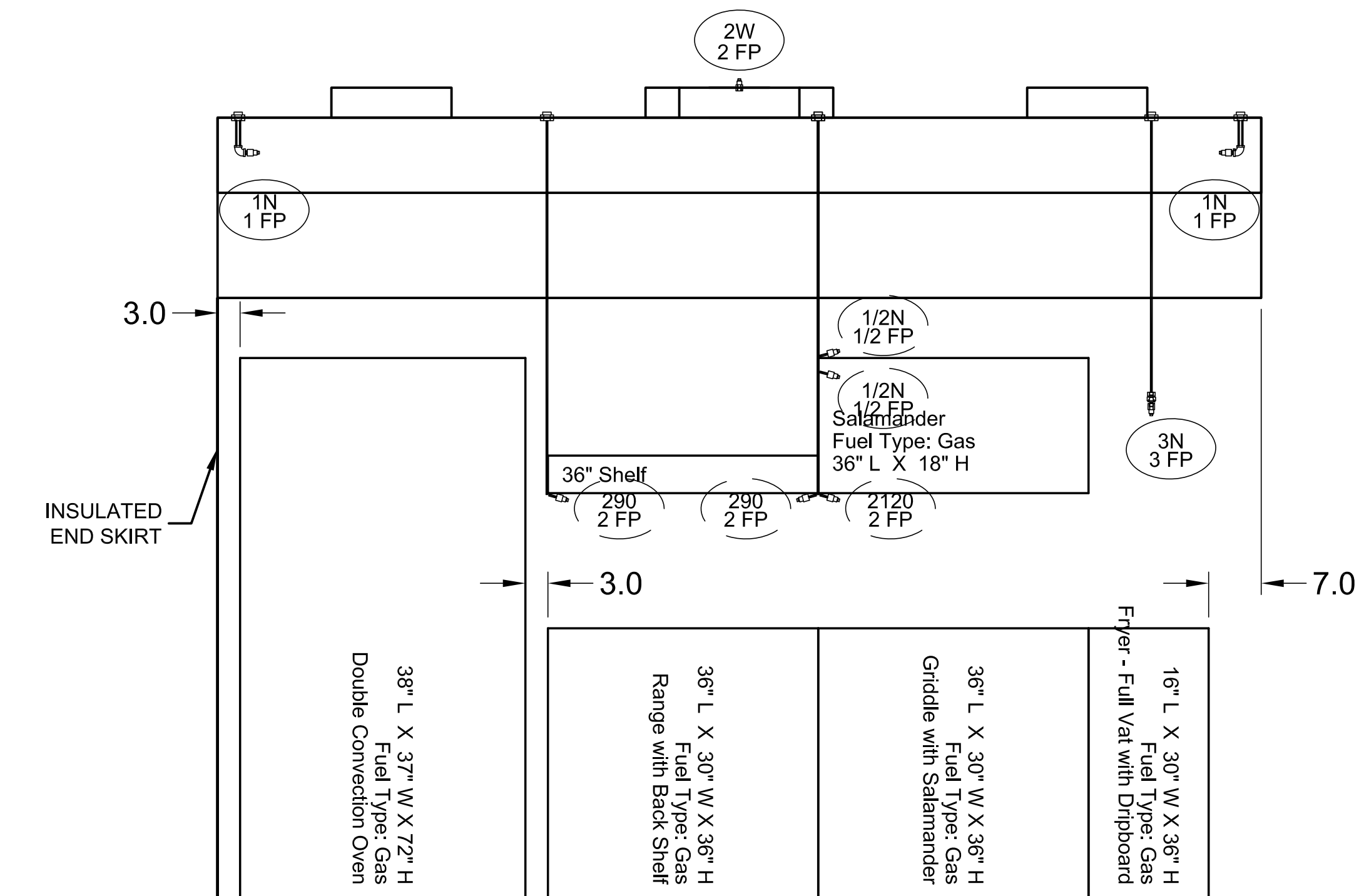
HOOD OPTIONS

UL 710 LISTED W/ OUT EXHAUST FIRE DAMPER - UL #R25625
 BACK INTEGRAL AIR SPACE - 3 IN WIDE
 SHIPPED LOOSE EXHAUST COLLAR(S)
 LEFT INSULATED END PANEL WITH ADJUSTABLE LEG 80 IN HIGH 27.00 IN TOP WIDTH 21.0 IN BOTTOM WIDTH
 PERFORMANCE ENHANCING LIP (PEL) TECHNOLOGY
 STANDING SEAM CONSTRUCTION FOR SUPERIOR STRENGTH

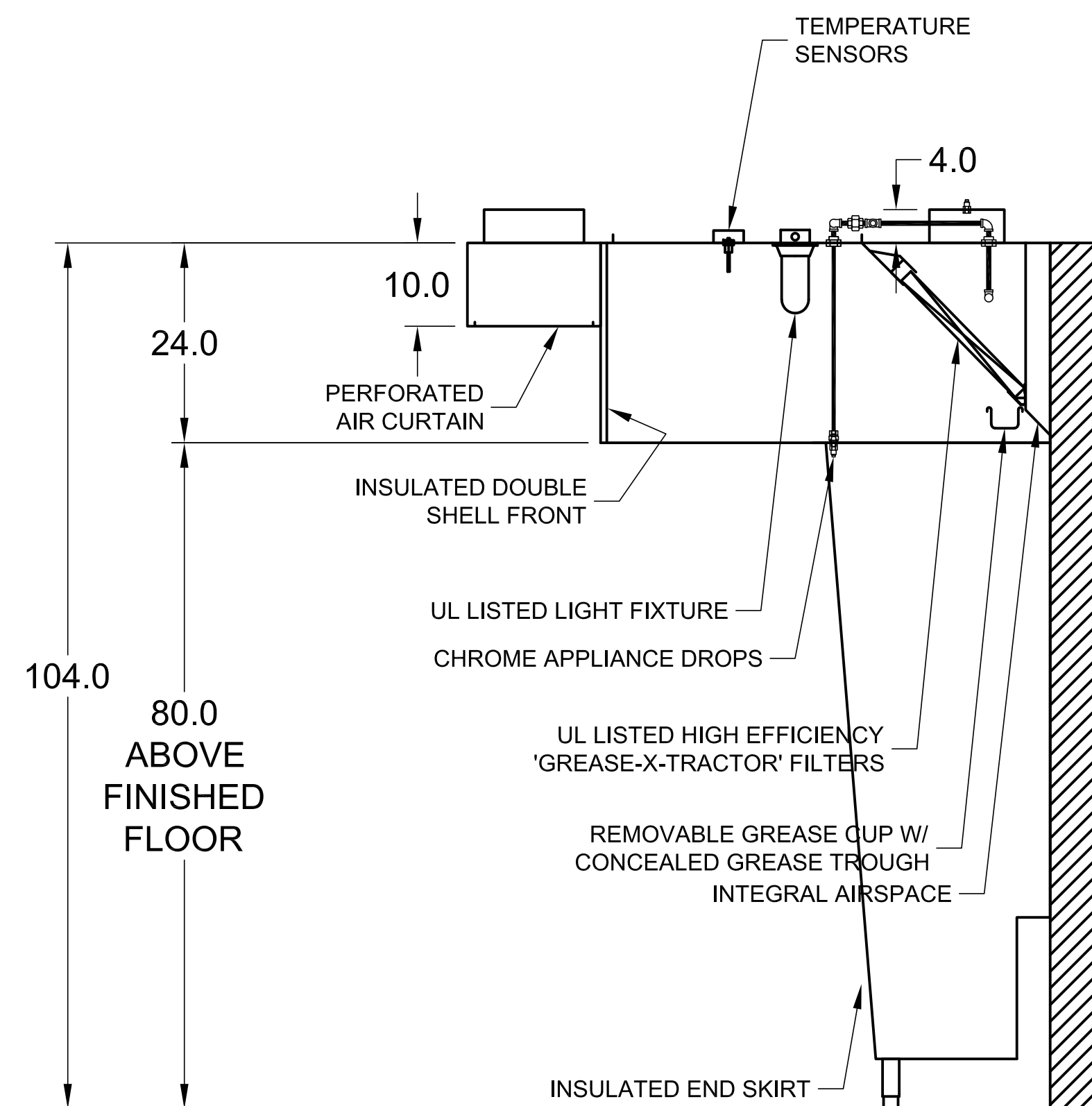


MARK: ITEM 53 - EXHAUST HOOD - SECTION 1 PLAN VIEW

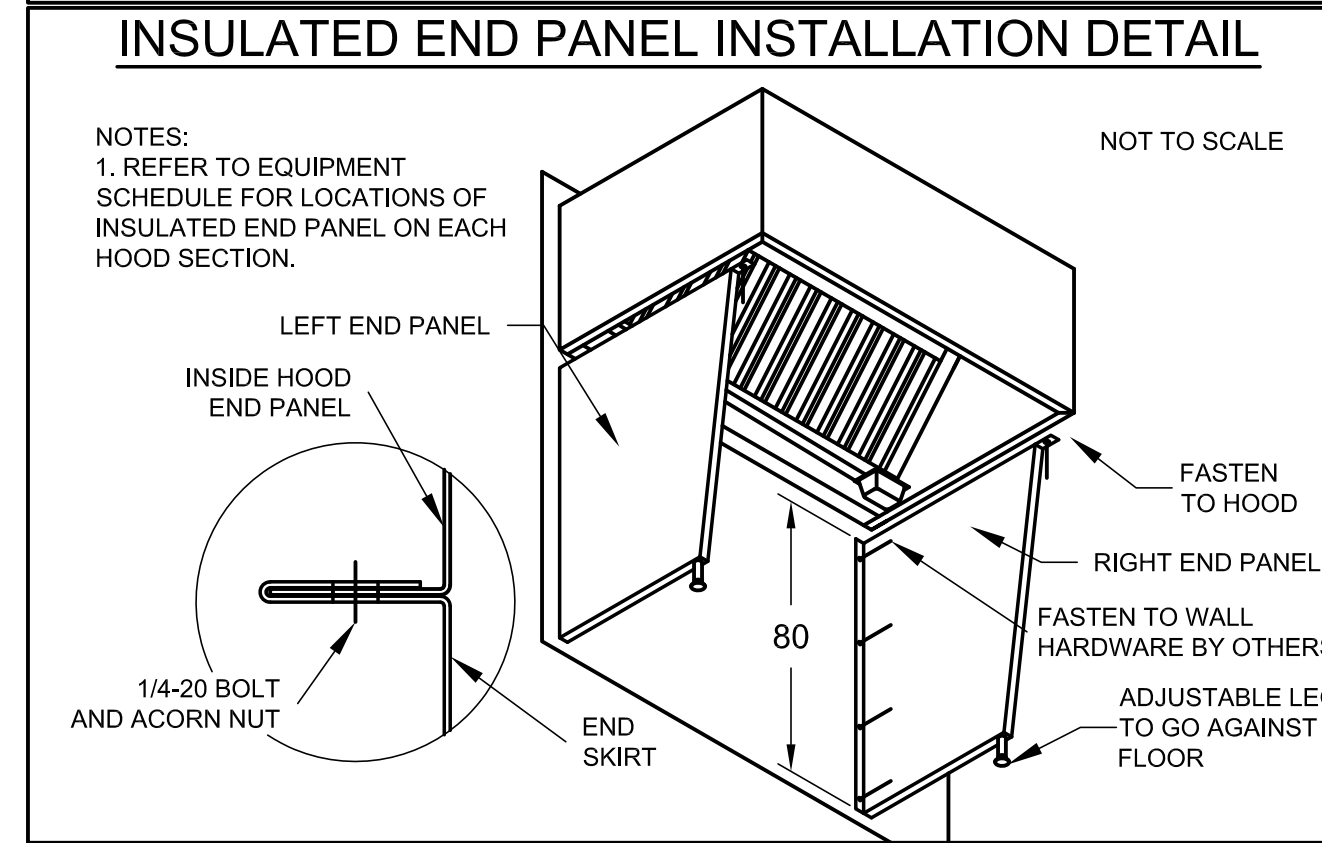
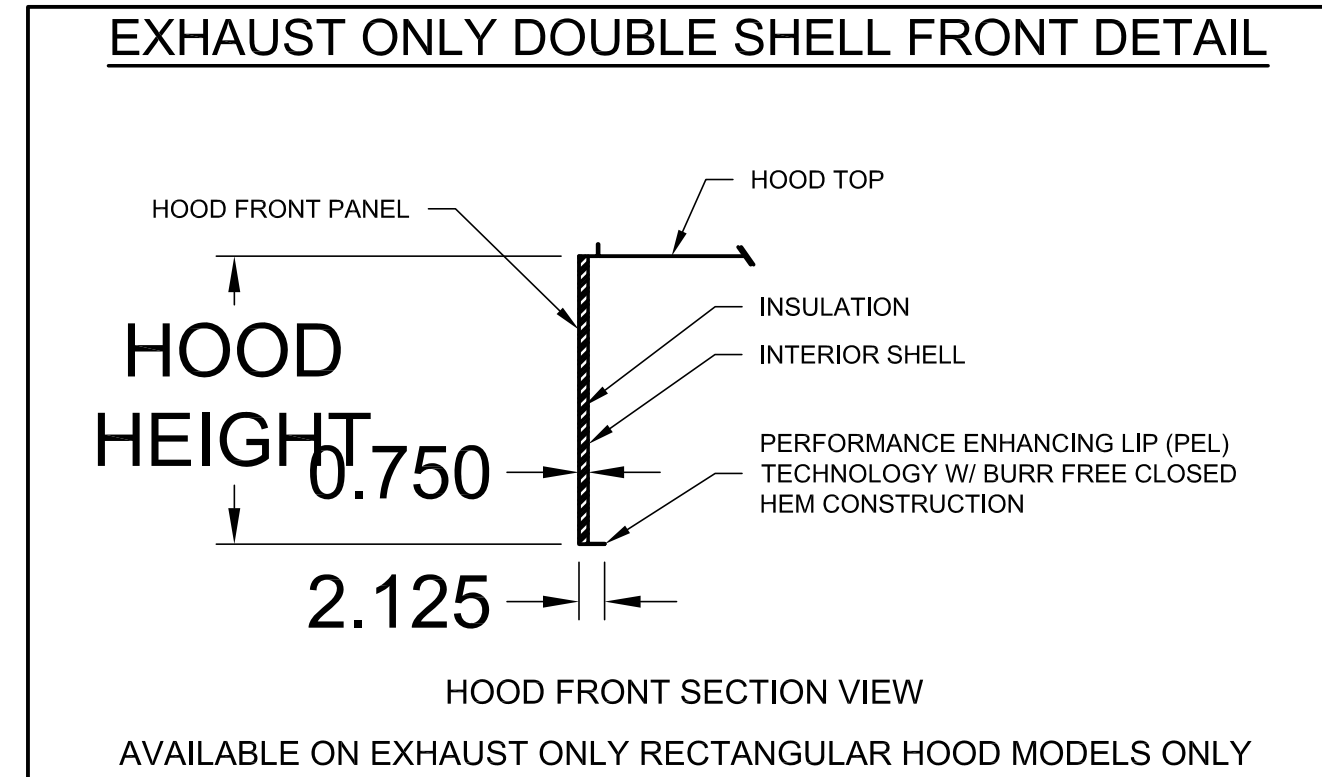
RELEASE WITH 3000
 ANSUL R102
 FIRE SYSTEM MARK: ITEM 57 - FIRE SUPPRESSION
 PIPE & CONDUIT BY ANSUL DISTRIBUTOR



MARK: ITEM 53 - EXHAUST HOOD - SECTION 1 ELEVATION VIEW

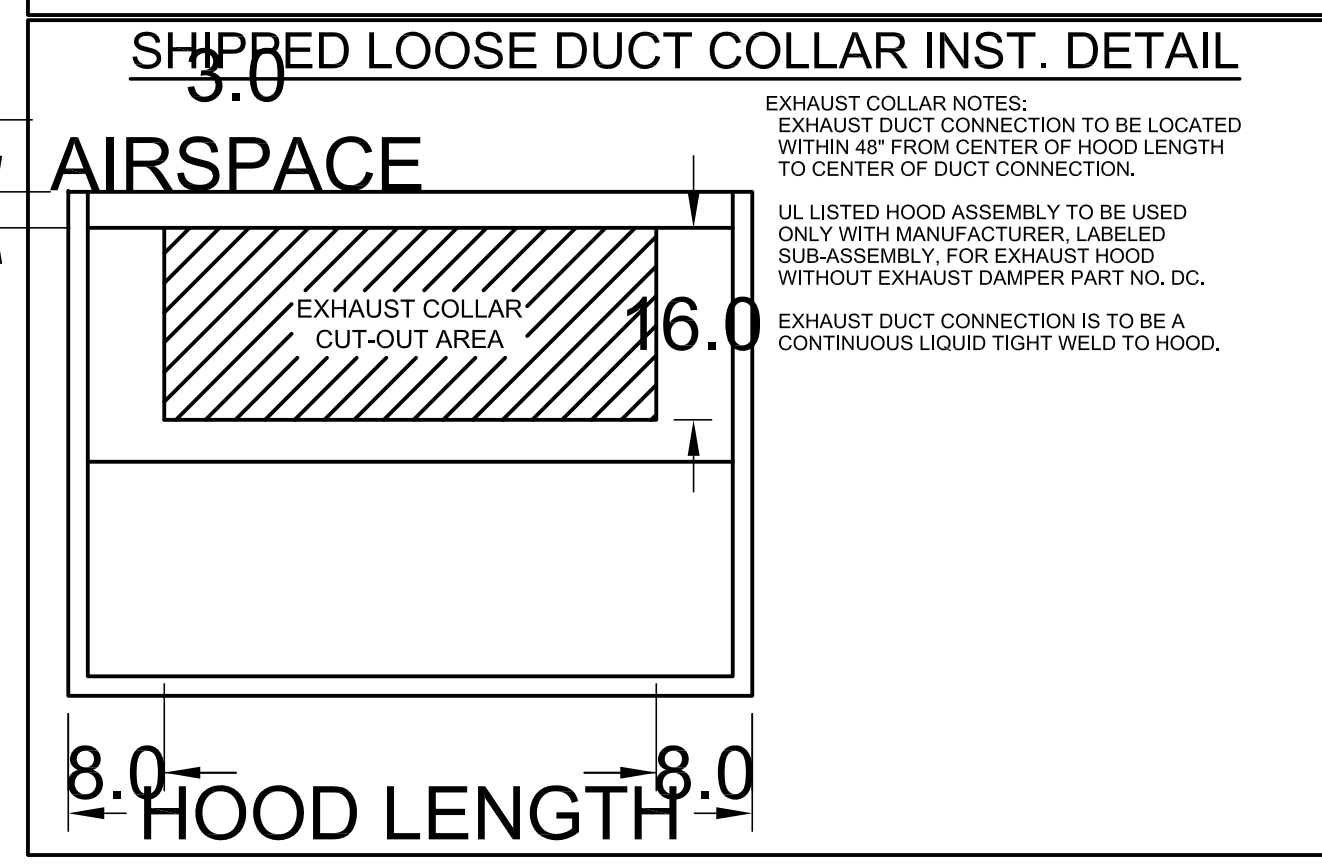
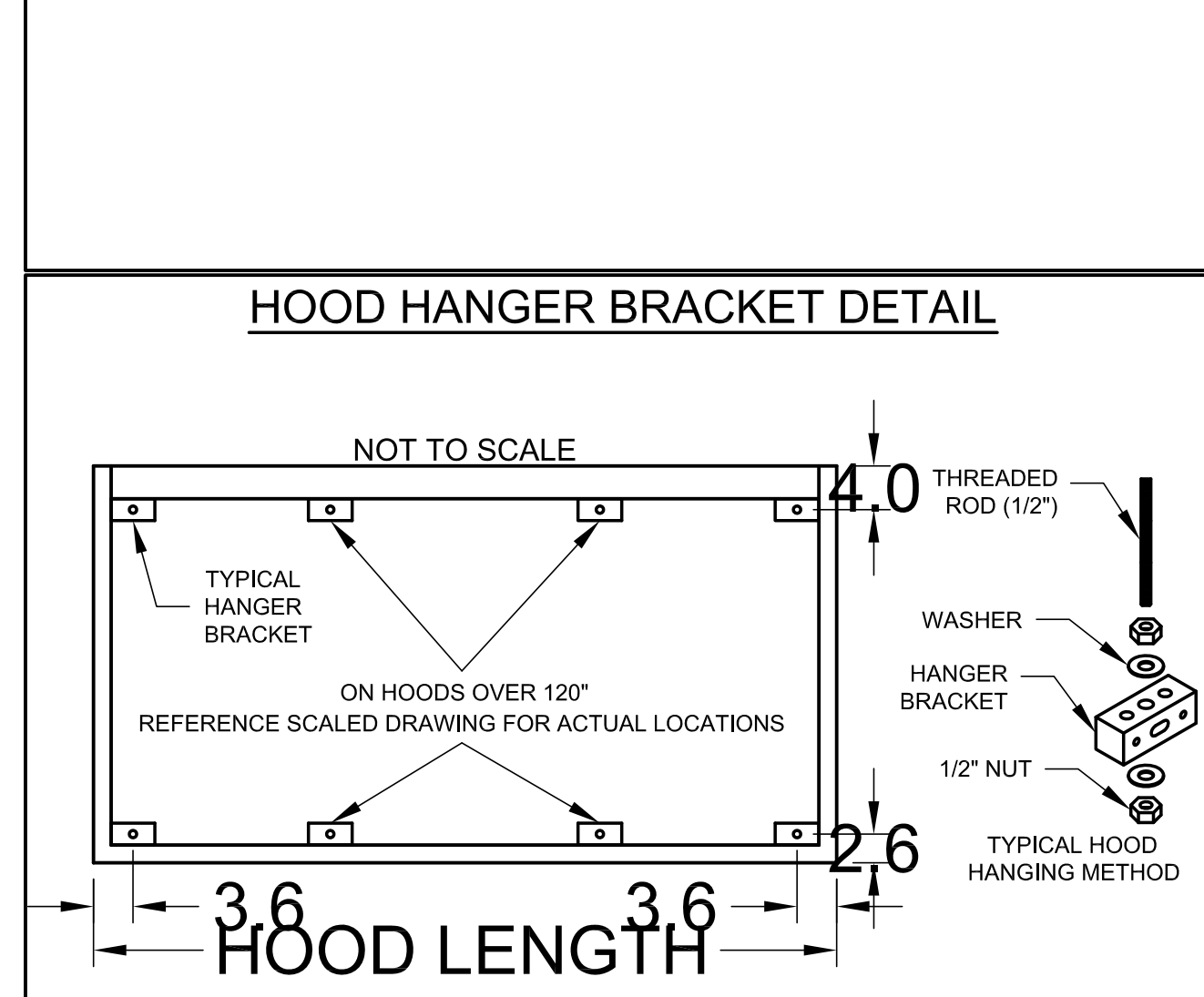
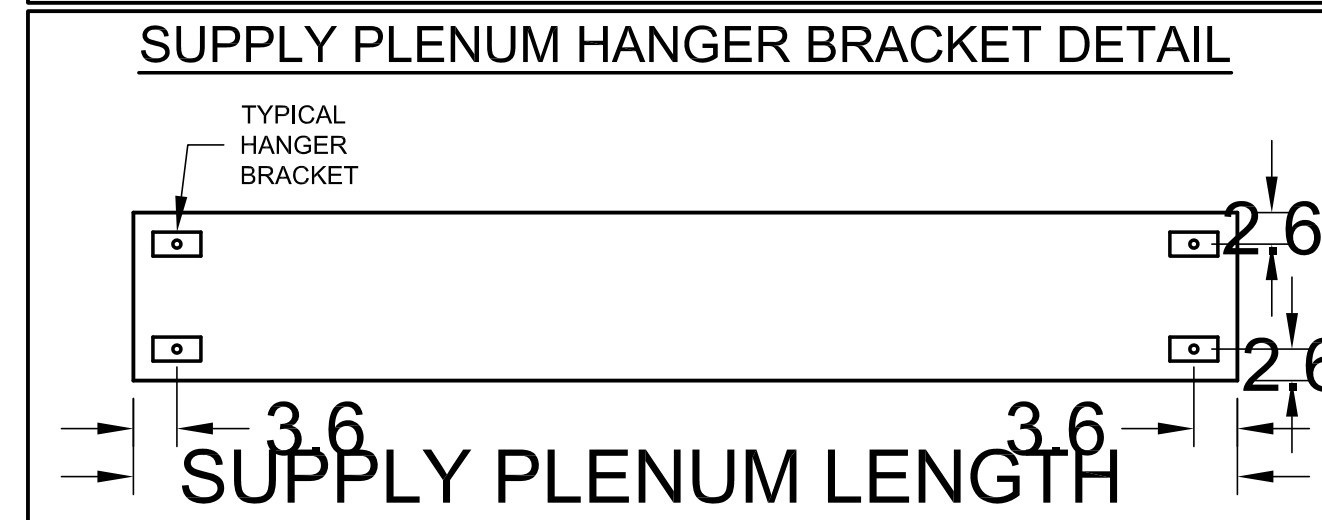


MARK: ITEM 53 - EXHAUST HOOD SECTION VIEW



HOOD HANGING HEIGHT FOR FIRE SYSTEMS
 VERIFICATION OF HOOD HANGING HEIGHT ABOVE FINISHED FLOOR (A.F.F.) IS REQUIRED FOR CORRECT PLACEMENT OF FIRE SYSTEM NOZZLES.

- RECOMMENDED HANGING HEIGHT = 80" FROM FINISHED FLOOR TO LOWER FRONT EDGE OF HOOD.
- OTHER HANGING HEIGHT = _____" FROM FINISHED FLOOR TO LOWER EDGE OF HOOD.



ACCUREX

TARANTULA HILL BREWERY
 PROJECT 5/23/2018
 MARK
 ITEM 53 - EXHAUST HOOD

ACCUREX - SOUTHERN CA & HAWAII
 DAVID SPERLING
 DAVID.SPERLING@ACCUREX.COM
 (509)430-5326

Rubenstein Architects

CONSULTANT
 CHEF'S TOYS DESIGN GROUP
 1900 COME CA HWY 404
 LOS ANGELES, CA 90004
 TEL: 310.408.1000
 www.chefstoydesign.com

Tarantula Hill Brewing Company
 244 E. Thousand Oaks Blvd
 Thousand Oaks, CA 91360

NOT FOR CONSTRUCTION

K-8.0

B:\360\17520 Tarantula Hill Brewing Company\17520_Tarantula Hill Brewing Company_01_00.rvt

FIRE SYSTEM INFORMATION

MARK	MODEL	LOCATION	FLOW POINTS		SUPPLY LINE	DETECTION	MARK(S) PROTECTED BY FIRE SYSTEM
			HOODS	PCU			
ITEM 57 - FIRE SUPPRESSION	ANSUL R-102 WET CHEMICAL	REMOTE MOUNTED	14 UTILIZED 22 AVAILABLE		CONTINUOUS	FUSIBLE LINK	ITEM 53 - EXHAUST HOOD SECTION 1

FIRE SYSTEM OPTIONS AND ACCESSORIES

FULL INSTALLATION (INCLUDES PRE-PIPED HOOD(S) WITH DETECTION AND FACTORY COORDINATED INSTALL)
 CHROME SLEEVES FOR FACTORY PROVIDED APPLIANCES DROPS - INCLUDED
 METAL BLOW-OFF CAPS - INCLUDED
 GAS VALVE - INCLUDED - MECHANICAL SHUTOFF VALVE, 2", (ANSUL) - PART# ANSULMECHSHUTOFFVALVE200
 HOOD SUPPRESSION AGENT - INCLUDED - 6 GAL. - [(2) 3.0 TANK(S)]
 REMOTE PULL STATION - STANDARD - INSTALLATION AT SINGLE POINT OF EGRESS

ANSUL R102 (WET CHEMICAL) FIRE PROTECTION SYSTEM - MODEL FSSC

CONTROL PANEL

1. STAINLESS STEEL ENCLOSURE
2. AGENT STORAGE TANK
3. EXPELLENT GAS CARTRIDGE
4. ANSUL AUTOMAN RELEASE
5. REGULATOR
6. KNOCKOUT FOR WIRING MICROSWITCH

NOT TO SCALE

WIRING DIAGRAMS
W/DPDT MICRO SWITCH

DPDT SWITCHES PROVIDED BY MANUFACTURER MAY BE WIRED PER TYPICAL EXAMPLES SHOWN. VERIFY WITH LOCAL CODES AND EQUIPMENT SUPPLIED AS THE CONNECTION NEEDED FOR YOUR INSTALLATION.

CONNECTION TO BUILDINGS ALARM

CONNECTION TO COOKING EQUIPMENT SHUT DOWN

CONNECTION TO FAN SHUT DOWN

NOTES:

WET CHEMICAL FIRE PROTECTION SYSTEM TO BE ANSUL R-102, DESIGNED IN COMPLIANCE WITH UL 300 REQUIREMENTS.
 -VERIFICATION OF ALL COOKING EQUIPMENT MAKE, MODEL AND LOCATION REQUIRED FOR ALL FIRE PROTECTION SYSTEMS.
 -ALL FIRE SYSTEM PIPING IS STANDARDLY TO THE RIGHT END OF THE HOOD UNLESS A WALL IS LOCATED ON THE RIGHT END.
 -ANSUL AUTOMAN RELEASE TO BE LOCATED WITHIN 60° OF HOOD.

THE BASIC FIRE SYSTEM WILL INCLUDE THE FOLLOWING:
 -GAS SHUT-OFF VALVE, IF REQUIRED, TO BE SUPPLIED BY MANUFACTURER (UP TO 2" DIAMETER AS STANDARD), AND INSTALLED BY A LICENSED PLUMBER.
 -MICRO SWITCH TO BE SUPPLIED BY MANUFACTURER FOR CONNECTION TO, BUT NOT LIMITED TO, BUILDING ALARM SYSTEM(S), EXHAUST AND SUPPLY FANS AND ELECTRICAL POWER SHUT DOWN. FIELD WIRING AND CONNECTIONS TO BE PERFORMED BY A LICENSED ELECTRICIAN.

THE BASIC FIRE SYSTEM DOES NOT INCLUDE THE FOLLOWING:
 -FULL DUMP TEST OTHER THAN WHAT IS SPECIFIED PER THE INSTALLATION MANUAL, OR TO SATISFY A STATE OR LOCAL CODE. PERMIT AND TESTING FEES ARE NOT INCLUDED UNLESS NOTED UNDER THE EQUIPMENT SCHEDULE FOR THE FIRE SYSTEM.
 -MORE THAN TWO TRIPS TO THE JOBSITE OR SPECIAL TRANSPORTATION, OR OVERNIGHT LODGING REQUIREMENTS IN REMOTE AREAS. NORMAL TRAVEL DISTANCE IS FIRST 50 MI. (80.5 KM) FROM OFFICE.
 -SPECIAL CLASSES OR ADDITIONAL LABOR FOR ACCESS TO SECURITY SENSITIVE AREAS.
 -INSTALLATION OF GAS SHUT-OFF VALVE.
 -SPECIAL DRAWINGS REQUIRED TO SATISFY STATE OR LOCAL CODE. PLAN EXAMINATION FEES, PE OR FS APPROVAL STAMP.
 -UNION LABOR, GOVERNMENT LABOR, OR PREVAILING WAGES REQUIRED FOR FINAL FIELD HOOK-UP.
 -ANY AND ALL ELECTRICAL COMPONENTS/CONNECTIONS REQUIRED TO SHUT DOWN FANS, SHUT OFF DEVICE FOR ELECTRIC COOKING EQUIPMENT (SHUNT TRIP BREAKER), OR ACTIVATE AN ALARM SYSTEM, ETC.
 -ANY DISMANTLING OR REASSEMBLY REQUIRED TO GAIN ACCESS TO THE FIRE SUPPRESSION PIPING LOCATED ON THE TOP OF THE HOOD.
 -ROUGH-IN HIDDEN CONDUIT FOR REMOTE PULL STATION OR GAS VALVE (FLUSH MOUNTED PULL STATION).
 -INSTALLATION OF MORE THAN (1) REMOTE PULL STATIONS OR DISTANCES GREATER THAN 20 FT (6.1M).
 -PARTS OR LABOR REQUIRED TO CORRECT PIPING DUE TO COOKING EQUIPMENT CHANGES OR DEVIATION FROM PLANS. OR ANY CHARGES FOR MISSING OR ADDITIONAL PARTS OTHER THAN THOSE INDICATED ON THE FIRE SUPPRESSION DETAIL.

DO NOT SHUT DOWN EXHAUST FANS WITH THIS METHOD OF WIRING, IF PROHIBITED BY LOCAL CODES.

NOTES:
 1. ----- DENOTES FIELD INSTALLATION.
 2. ===== DENOTES FACTORY INSTALLATION.
 3. DO NOT USE BLACK WIRE ON SNAP-ACTION SWITCH IN NORMAL INSTALLATION. BLACK WIRE TO BE USED ONLY FOR EXTRANEOUS ALARM, LIGHT CIRCUITS, ETC.

ACCUREX
 PROJECT 5/23/2018
 TARANTULA HILL BREWERY
 ITEM 57 - FIRE SUPPRESSION
 ACCUREX - SOUTHERN CA & HAWAII
 DAVID SPERLING
 DAVID.SPERLING@ACCUREX.COM
 (509)430-5326
 CONSULTANT
 CHEF'S TOYS DESIGN GROUP
 1900 COMPTON CA 90624
 (310)666-0100
 (310) 718-0001
 chefsdesign.com
 Rubeinstein Architects
 431 N. Main Street, El Segundo, CA 90245
 (310) 316-1234
 www.rubeinsteinarchitects.com
 STATUS: Project Status
 Project Issue Date: 6/21/2018 10:13:04 AM
 Scale: 3/4" = 1'-0"
 Drawn by: Author
 Project Number: 17520
 Exhaust Hood Details
 K-8.1

B:\360\17520 Tarantula Hill Brewing Company\17520_TarantulaHillBrewingCompany_v01_00.rvt

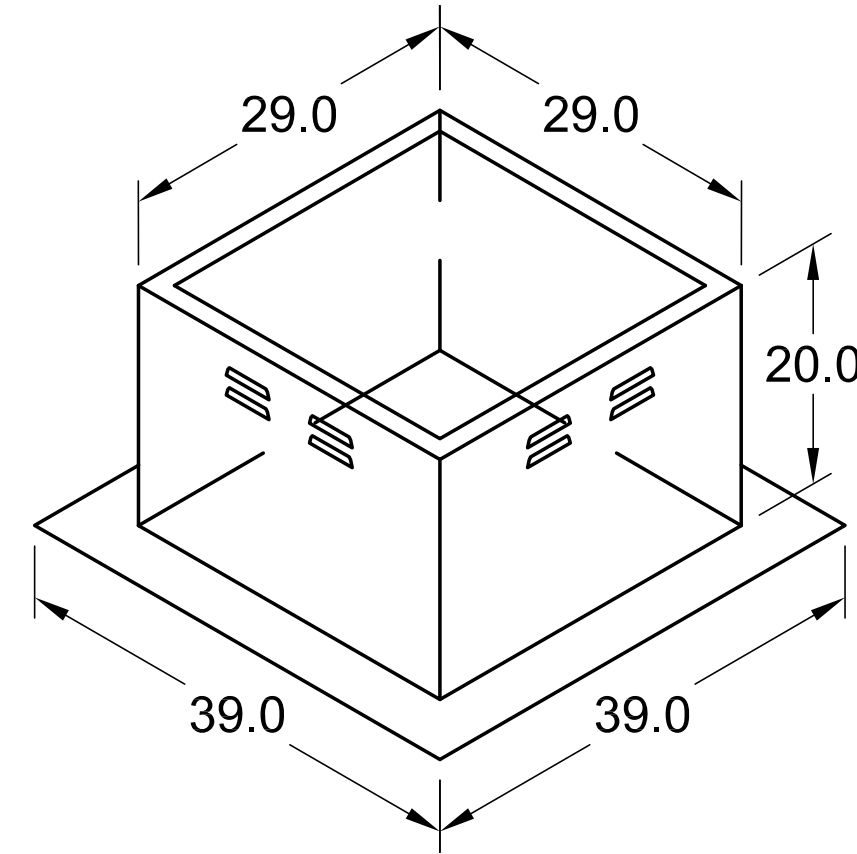
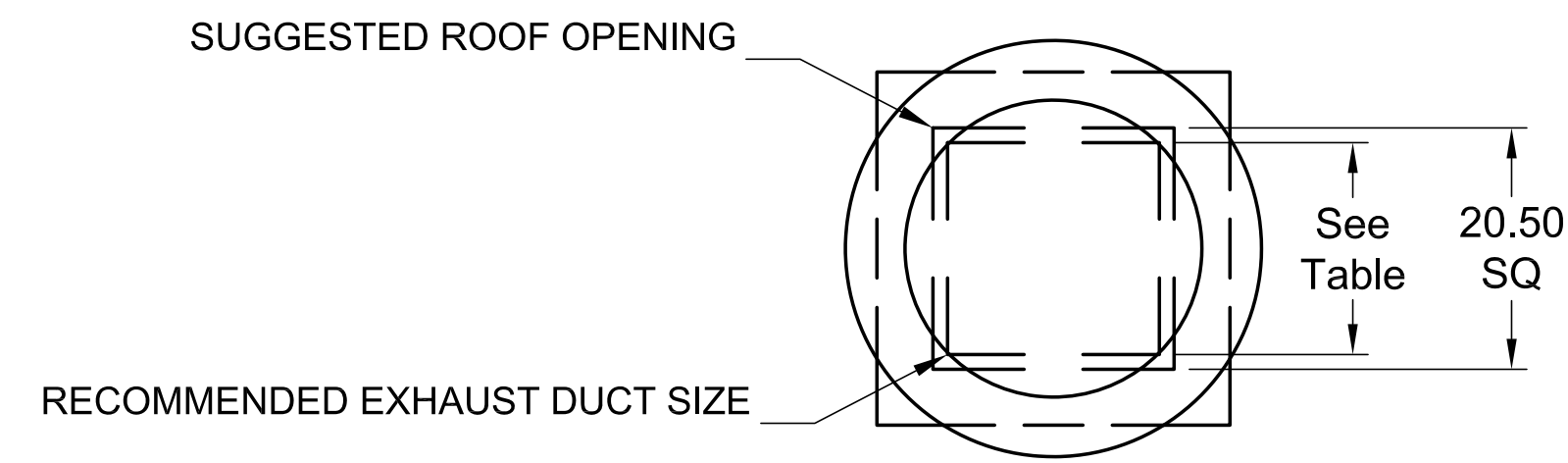
NOT FOR CONSTRUCTION

Belt Drive Upblast Centrifugal Roof Exhaust Fan

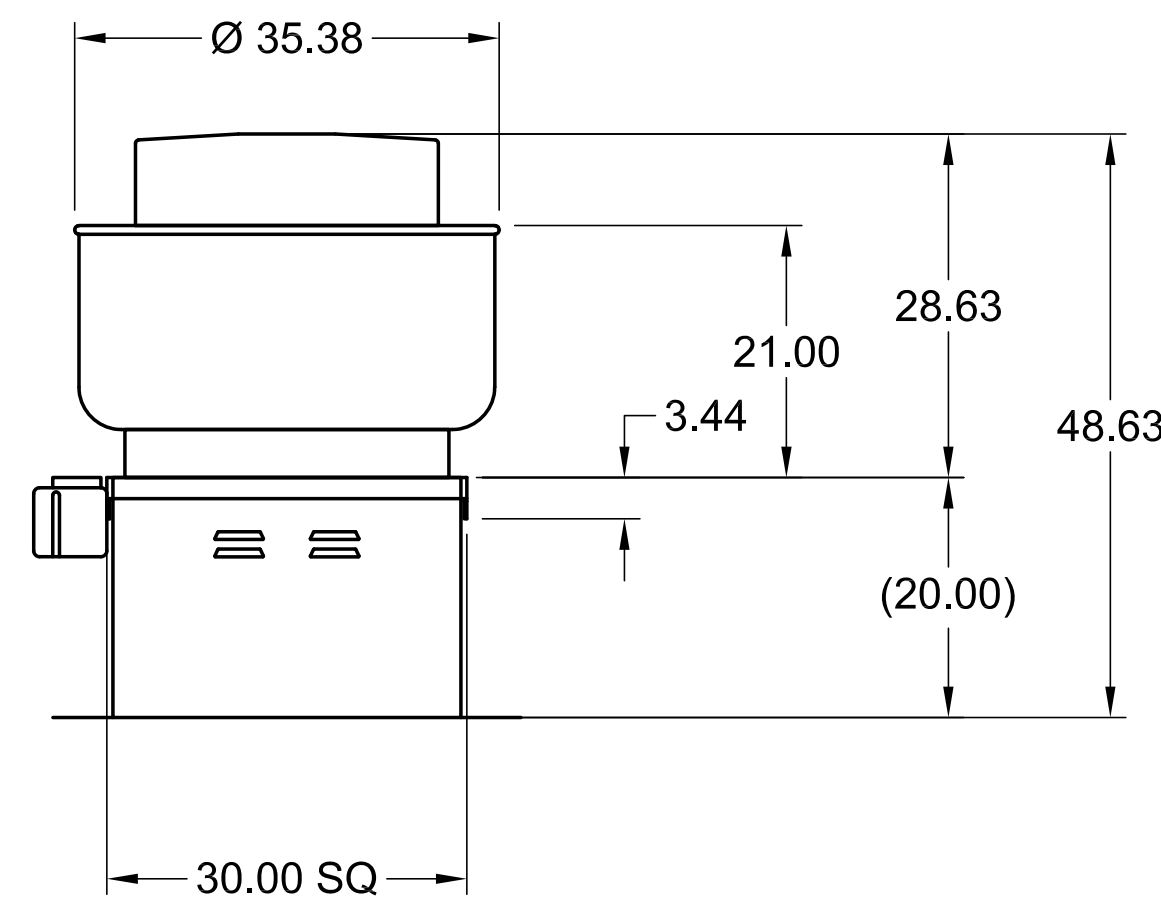
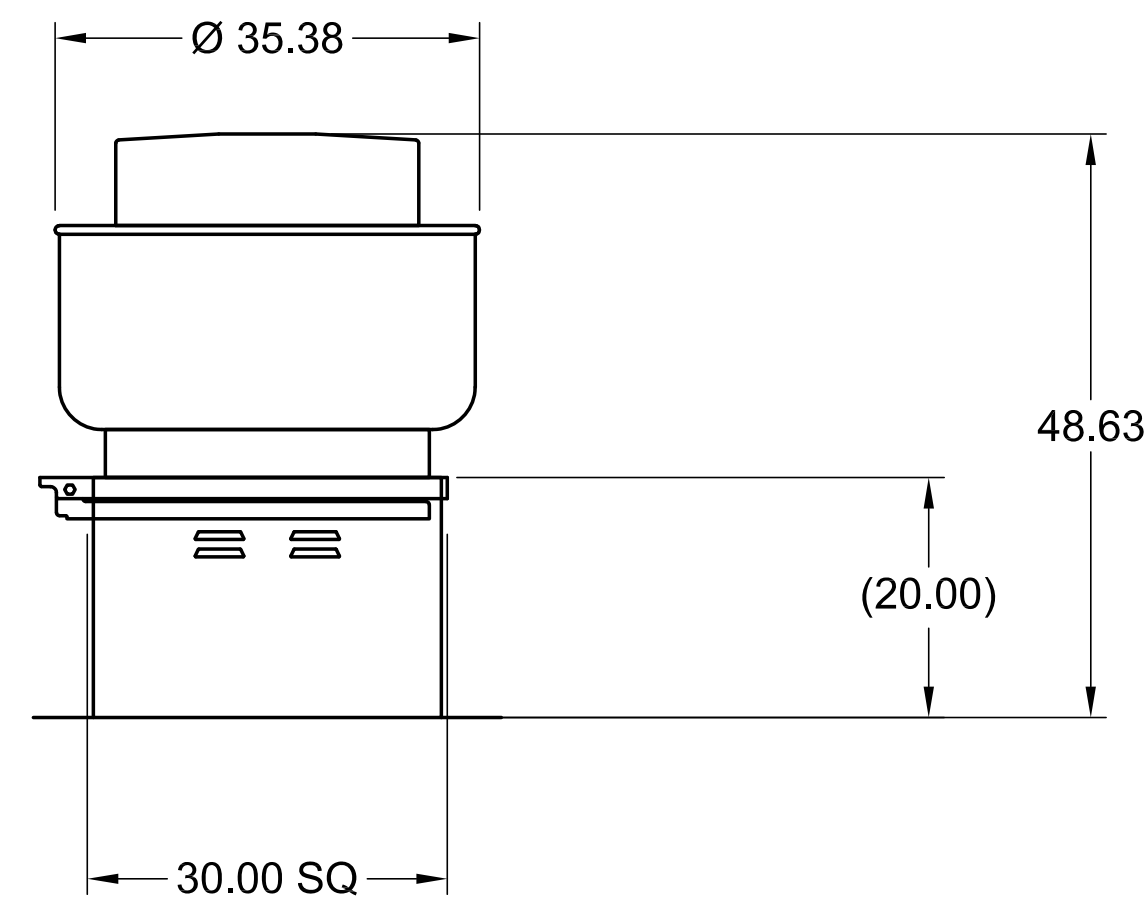
MARK INFORMATION		FAN INFORMATION						MOTOR INFORMATION					
QTY	MARK	MODEL	VOLUME (CFM)	TOTAL EXTERNAL SP (IN WG)	FAN RPM	OPERATING POWER (HP)	WEIGHT (LB.)	SIZE (HP)	V/C/P	ENCLOSURE	MOTOR RPM	WINDINGS	NEC FLA*
1	ITEM 54 - EF-1	XRUB-180HP-15	2,600	1.5	1,356	1.15	166	1.5	208/60/3	OP	1725	1	6.6

*NEC FLA - Based on tables 150 or 148 of National Electrical Code 2002. Actual motor FLA may vary, for sizing thermal overload, consult factory.

ITEM 54 - EF-1 : SELECTED OPTIONS AND ACCESSORIES
UL/cUL 762 Listed - "Power Ventilators for Rest. Exh. Appliances"
Switch, NEMA-1, Toggle, Shipped with Unit
Roof Curb-Galv., GPFV-30-G20, Under Sized 1 in. Total
Hinged Base (Attached)
High Temp Curb Seal Rated for Continuous Duty at 2000 F (Attached)
Grease Trap (PN 475538)
Heat Baffle (Attached)
Bearings with Grease Fittings, L10 life of 100,000 hrs (L50 avg. life 500,000 hrs)



DUCT TYPE	SIZE
STANDARD	18 SQ
FIRE-WRAPPED	10 SQ



DUCT DIMENSIONS ARE LARGEST POSSIBLE DUCT TO FIT THROUGH CURB. CONSULT SYSTEM DESIGN ENGINEER FOR RECOMMENDED DUCT SIZE.

OVERALL HEIGHT MAY BE GREATER DEPENDING ON MOTOR.

ACCUREX

ACCUREX - SOUTHERN CA & HAWAII
 DAVID SPERLING
 DAVID.SPERLING@ACCUREX.COM
 (509)430-5326

PROJECT: 5/23/2018
 TARANTULA HILL BREWERY

MARK: ITEM 54 - EF-1



Tarantula Hill Brewing
 Company
 244 E. Thousand Oaks Blvd
 Thousand Oaks, CA 91360

CONSULTANT
CHEF'S TOYS
 DESIGN GROUP
 2900 COME CA 91004
 LOS ANGELES, CA 90008
 TEL: 310.408.1000
 cheftoyso.com

Rubenstein
 Architects
 433 Main Street, #2
 San Francisco, CA 94105
 www.rubensteinarchitects.com

REVISION MILESTONE SCHEDULE:	No.	Date	To	From	Revision Description
ISSUED FOR PLANNING CHECK		2018-05-25	TOBS	TOP	ISSUED FOR PLANNING REVIEW

STAMP	
This document, and the ideas and designs incorporated herein, are the property of Rubenstein Architects Inc. and are not to be used in whole or in part for any project other than the one identified herein without the written authorization of Rubenstein Architects Inc. This document shall not be reproduced or modified in any way without the expressed written consent of Rubenstein Architects Inc. All drawings, specifications as well as the ideas and concepts described herein are under the protection of all applicable copyright laws.	
Status:	Project Status
Project Issue Date:	6/21/2018 10:13:04 AM
Scale:	3/4" = 1'-0"
Drawn by:	Author
Project Number:	17520

Exhaust Hood Details

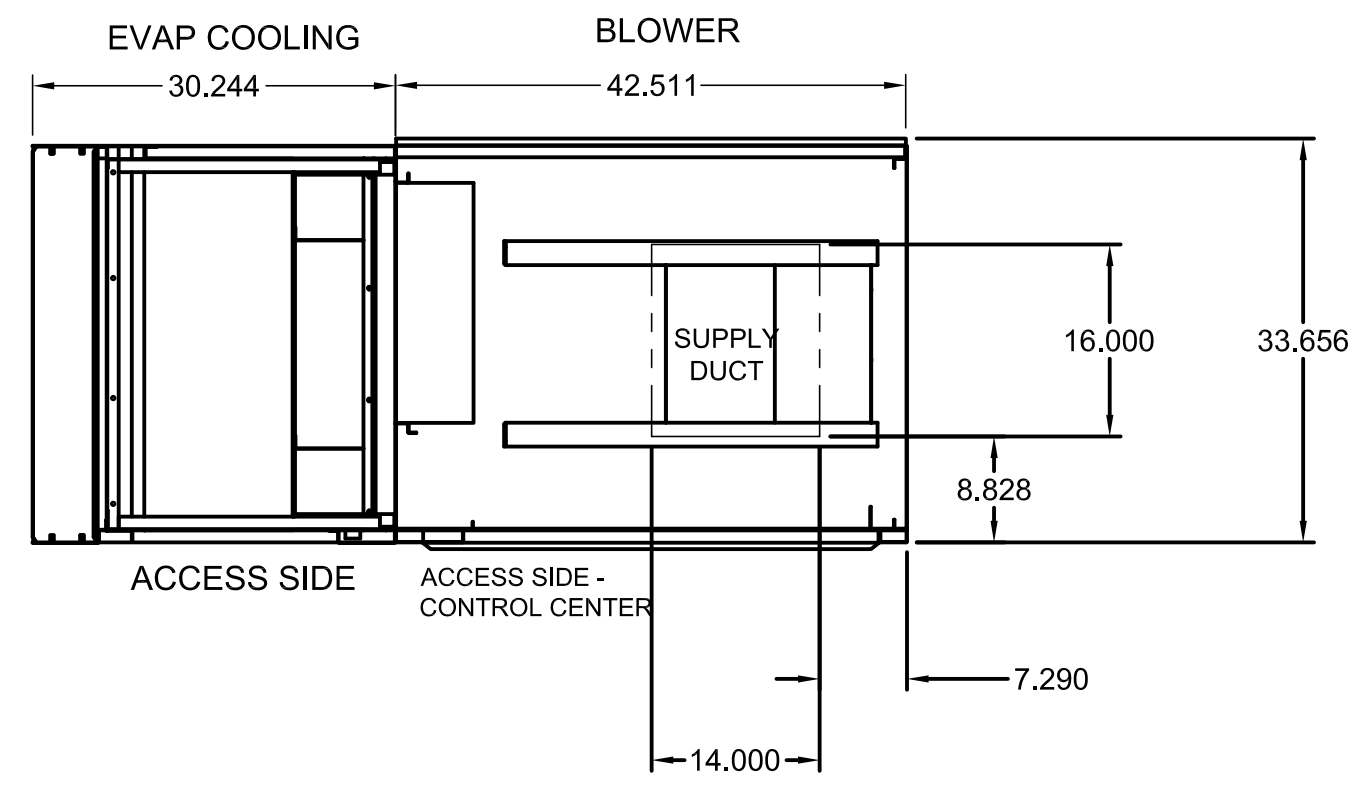
K-8.2

NOT FOR CONSTRUCTION

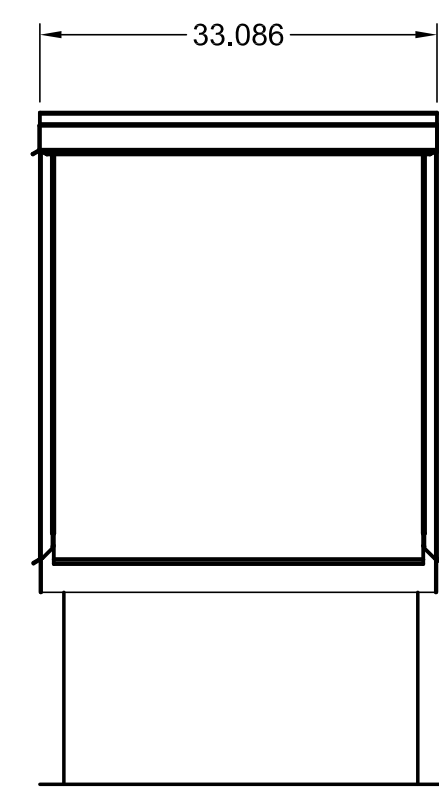
EQUIPMENT SCHEDULE						
Tempered Make-Up Air Unit						
Qty	Accurex Model	Volume	External SP	Total SP	FRPM	Operating Power
1	XMSX-110-H12	2,080 CFM	0.5 in. wg	0.752 in. wg	924	0.64 hp
Motor Information						
Size	V/C/P	Enclosure	Motor with Shift Grounding	Motor RPM	Windings	MCA
1 hp	208/60/3	ODP	No	1725	1	7.7
Cooling						
Cooling Type	Cooling Media	Summer Bulb Dry	Wet	Filters	Cooling Control	Required Flow**
Evaporative	CELdek	83.7 F	70.2 F	2in. Aluminum Mesh	Recirculating Pump	NA
Outlet Sound Power By Octave Band						
62.5	125	250	500	1000	2000	4000
93.3	93.4	80.3	71.5	66.9	64.8	58.6
LWA	dBA	Sones				
80.3	69.3	17.5				

OPTIONS AND ACCESSORIES

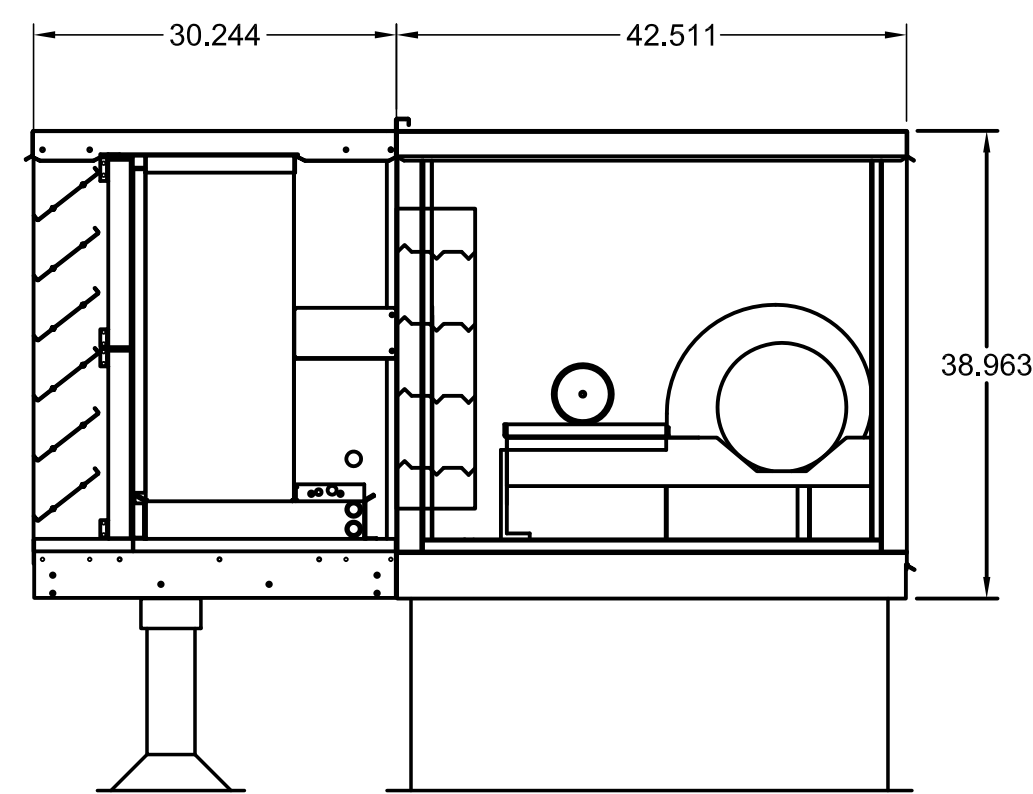
Air Flow Arrangement: Outdoor Air Only
 Damper: Inlet
 Outdoor Air Intake Position: End
 Discharge Position: Bottom
 Coating: Galvanized
 Insulation: Duct Liner - Entire Unit
 Access Side: Right-Hand
 Control Center
 Cool Inlet Air Sensor
 Unit Controls: Terminal Strip
 Temperature Control: None
 Terminal Strip
 Cooling
 Evap Cooling Options/Accessories
 Evap Media: CELdek
 Evap Control: Recirculating Pump
 With Louvered Intake and Aluminum Mesh Filters, 14x30x2 - (2)
 Evap Equip. Support: Qty(1) - H(16 in.) x L(27 in.), GESS
 Mounting: GPI-29.5/39.75-G16
 Curb Includes: 1 in. Insul.
 Unit Warranty: 1 Yr (Standard)



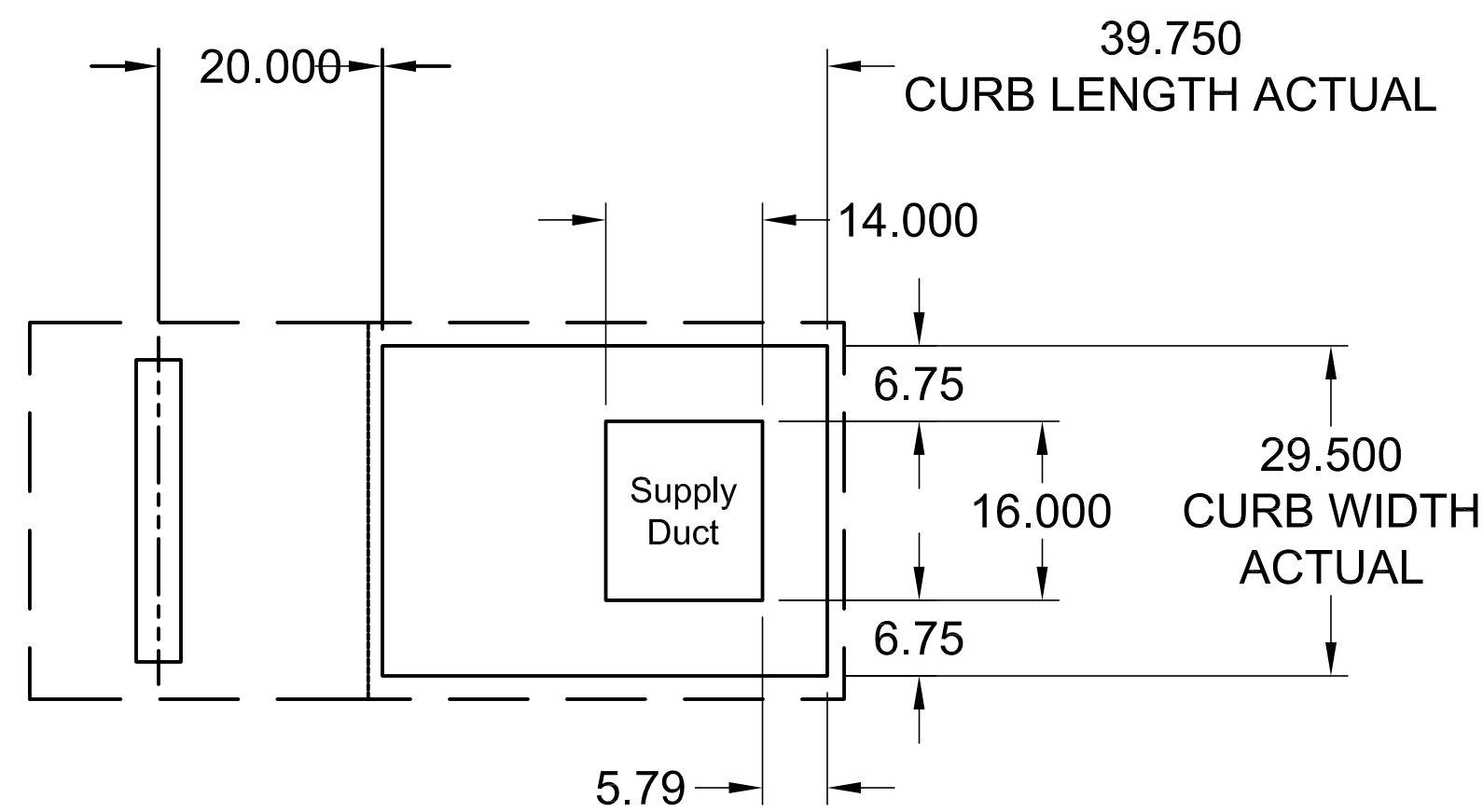
PLAN VIEW



END VIEW



ELEVATION VIEW



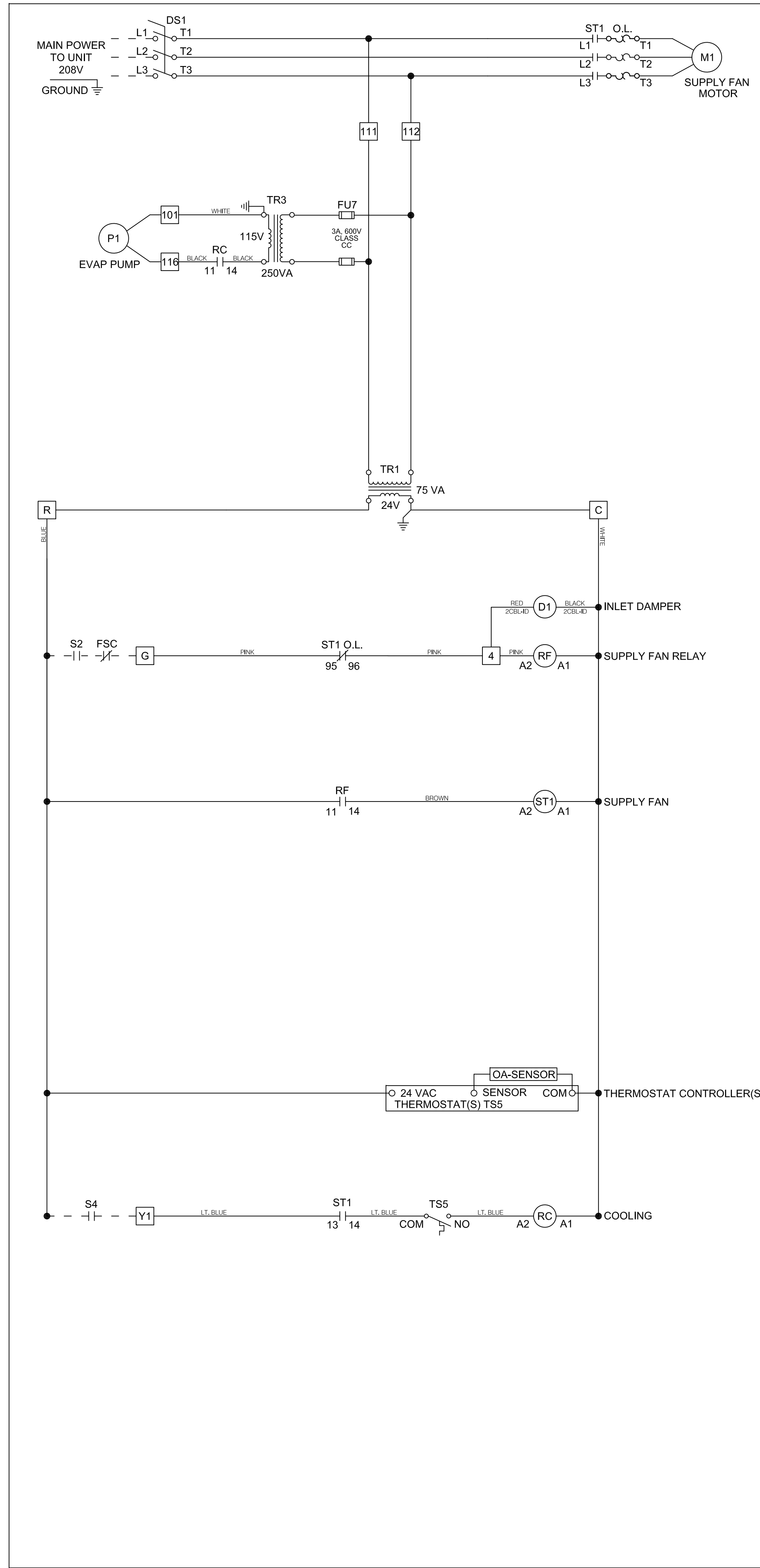
FOOTPRINT

NOTE: Roof Opening Requirements:

Minimum Roof Opening: The minimum roof opening size is the illustrated duct diameter plus 0.25 in. on all sides.
 For example: If the duct size is 14 x 14 in. square, the minimum roof opening size is 14.5 x 14.5 in. square.

Maximum Roof Opening: There must be a minimum perimeter of 1.75 in. between the roof opening and the roof curb.
 For example: If the roof curb is 75 x 30 in. square, the maximum roof opening is 71.5 x 26.5 in. inches square.

NOTE: The weatherhood and filter sections of the make-up air unit are not supported by the curb.
 This is by design, in order to help alleviate water infiltration issues.



ACCUREX
ENGINEERED RESTAURANT SYSTEMS

Wiring Diagram Code:
AN00N401A011A20NU09

CAUTION
UNIT SHALL BE GROUNDED IN ACCORDANCE WITH N.E.C.
POWER MUST BE OFF WHILE SERVICING.

NOTES
USE COPPER CONDUCTORS ONLY
60° C FOR TERMINALS RATED LESS THAN 100 AMPS.
75° C FOR TERMINALS RATED 100 AMPS OR MORE.
FIELD CONTROL WIRING RESISTANCE SHOULD NOT EXCEED 0.75 OHM.
FIELD WIRED - - - - -
FACTORY SUPPLIED AND WIRED _____

WIRE COLOR CODE

BK	BLACK	BL	BLUE	BR	BROWN
GY	GRAY	LT BL	LIGHT BLUE	O	ORANGE
PK	PINK	PR	PURPLE	R	RED
W	WHITE	Y	YELLOW		

LEGEND

D1 INLET DAMPER
 DS1 MAIN DISCONNECT SWITCH
 FSC FIRE SYSTEM CONTACT
 FU# FUSE
 M# MOTOR
 OL# MOTOR OVERLOAD
 P# EVAP PUMP
 RC COOL RELAY
 RF SUPPLY FAN RELAY
 S2 FAN SWITCH
 S4 HEAT AND COOL SWITCH
 ST# MOTOR STARTER
 TR# TRANSFORMER
 TS# INLET AIR SENSOR - COOL
 JUMPER = COOL : DIFFERENTIAL = 2

Template Drawing: U09 DOC NUMBER: ##### REV: #####

ACCUREX

TARANTULA HILL BREWERY

PROJECT: 5/23/2018

MARK

ITEM 54 - MUA-1

ACCUREX - SOUTHERN CA & HAWAII
 DAVID SPERLING
 DAVID.SPERLING@ACCUREX.COM
 (509)430-5326

CONSULTANT

CHEF'S TOYS
DESIGN GROUP

1900 COM CA BLVD
LOS ANGELES, CA 90007
TEL: 310.408.1000
WWW.CHEFSTOYS.COM

Tarantula Hill Brewing
Company

244 E. Thousand Oaks Blvd
Thousand Oaks, CA 91360

REVISION	DATE	DESCRIPTION
1	2018-05-25	ISSUED FOR PLANNING CHECK
2	2018-05-30	ISSUED FOR PLANNING REVIEW

STAMP

This document, and the ideas and designs incorporated herein, are the property of Rubenstein Architects Inc. and shall not be used in whole or in part for any project other than the one described herein without the written authorization of Rubenstein Architects Inc. All drawings, specifications as well as the ideas and concepts described herein are under the protection of all applicable copyright laws.

Status: Project Status
 Project Issue Date: 6/21/2018 10:13:04 AM
 Scale: 3/4" = 1'-0"
 Drawn by: Author
 Project Number: 17520

Exhaust Hood Details

K-8.3

NOT FOR CONSTRUCTION

Rubenstein
architects

431 Main Street, #3
St. Petersburg, FL 33701
www.rubensteinarchitects.com

CONTROL INFORMATION

MARK	ELECTRICAL CONTROL PACKAGE		USER INTERFACE		FANS CONTROLLED				
	MODEL	LOCATION	TYPE	LOCATION	MARK	TYPE	VOLT	PHASE	HP
CONTROLS	XFCC	SHIP LOOSE	SWITCHES	SHIP LOOSE	ITEM 54 - EF-1	EXHAUST	208	3	1 1/2
					ITEM 54 - MUA-1	SUPPLY	208	3	1

CONTROL FEATURES

CONTROL PANEL ENCLOSURE - 16 GA 300 SERIES STAINLESS STEEL ENCLOSURE (NEMA-1) - DIMENSIONS 12 X 20 X 6
 STARTERS PROVIDED IN CONTROL PANEL - QTY 1
 2 POSITION LIGHT SWITCH - QTY 1
 2 POSITION FAN SWITCH - QTY 1
 -FACTORY MOUNTED EXHAUST TEMPERATURE SENSORS - QTY 1
 TURN ON EXHAUST IN FIRE
 LIGHTS OUT IN FIRE
 MUA INTERFACE
 POWER FOR SHUNT TRIP
 THERMAL OVERLOADS IN CABINET

Kitchen Fan Control Center (XFCC) Electrical Prewire Package TARANTULA HILL BREWERY

CONTROL PANEL
Installation Location:
Ship Loose

Switches Mounting - Ship Loose for Remote Mounting

TEMPERATURE INTERLOCK CALIBRATION

- PRESS SET BUTTON. 'S1' WILL APPEAR.
- PRESS UP OR DOWN BUTTON TO NAVIGATE TO SET POINT THAT YOU WISH TO ADJUST ('S1', 'S2', OR 'S3').
- PRESS SET BUTTON TO VIEW CURRENT SET POINT. PRESS UP OR DOWN BUTTON TO ADJUST AND PRESS SET BUTTON TO STORE VALUE.
- PRESS SET + DOWN BUTTONS TOGETHER TO EXIT OR WAIT 1 MINUTE.
- CHECK SYSTEM OPERATION BEFORE MAKING ADDITIONAL ADJUSTMENTS.

SYSTEM DRAWING NOTE

These drawings shall not be removed from this equipment. For additional information call ACCUREX at 1-800-371-6858

Panel Mark: CONTROLS
 Hood Mark(s):
 Serial Number:
 Model: XFCC

Motor	Fan Mark	HP	Volt	PH	FLA	Wire	Breaker
F1-E	ITEM 54 - EF-	1.5	208	3	6.6	14 ga	15 amp
F2-S	ITEM 54 - MUA-	11	208	3	4.6	14 ga	15 amp

Legend:

<input type="checkbox"/> Qty. Fan Switches (0-3)	<input checked="" type="checkbox"/> Exhaust In Fire
<input type="checkbox"/> Qty. Light Switches (0-3)	<input checked="" type="checkbox"/> MUA Interface
<input type="checkbox"/> Qty. Temp. Switches (0-1)	<input checked="" type="checkbox"/> Lights Out in Fire
<input type="checkbox"/> One Switch for L & F	<input checked="" type="checkbox"/> Fire Relay (#1)
<input checked="" type="checkbox"/> Digital Temperature Interlock	<input checked="" type="checkbox"/> Extra Fire Relay (#2)
<input type="checkbox"/> Mounted Sensors - Factory	<input checked="" type="checkbox"/> Extra Fire Relay (#3)
<input type="checkbox"/> Mounted Sensors - Field	<input type="checkbox"/> DPDT Relay w/SF
<input type="checkbox"/> Heat Switch	<input type="checkbox"/> DPDT Relay w/EF
<input type="checkbox"/> Cool Switch / Tempering SW	<input type="checkbox"/> Off Delay Relay
<input type="checkbox"/> AD Switch	<input type="checkbox"/> SF Failure Light
<input checked="" type="checkbox"/> Remote Switches	<input type="checkbox"/> EF Failure Light
<input type="checkbox"/> Audible Alarm	<input type="checkbox"/> Fan Failure Light (Appl.)
<input type="checkbox"/> Gas Resest	<input type="checkbox"/> Aux. Supply Contact
<input type="checkbox"/> Power for Gas Solenoid	<input type="checkbox"/> Tie in WVCOP
<input checked="" type="checkbox"/> Power for Shunt Trip	

Spare Fire Switch Contact (dry contacts for building alarm)

C2 RD/RD	RD/RD
NC2 BR/BK	BR/BK
NO2 BK/YW	BK/YW

Spare Relay Contacts (activated by FS1) (can be used for shunt trip, alarms, etc.)

C3 RD	C4 RD
NO3 BK	NO4 BK
NC3 BR	NC4 BR

A open w/power at H1/N1 & fire system armed closed on fire or no power
 B closed w/power at H1/N1 & fire system armed open on fire or no power

TORQUE: TERMINAL BLOCKS = 5 LB.IN
 GROUNDING BLOCKS = 5 LB.IN

FIELD WIRING: USE MINIMUM 60' Copper Wire

WIRE COLOR:
 BK - black
 BL - blue
 BR - brown
 OR - orange
 PR - purple
 RD - red
 YW - yellow
 WH - white

NOTES:
 DRAWING SHOWN DE-ENERGIZED AT L1 (TERM. #H1).
 W/ FIRE SYSTEM ARMED (NON-FIRE MODE). (NORMAL OPERATION, R1 & R2 ARE ENERGIZED) IF WALL MOUNTED PREWIRED OR FIELD INSTALLED FIRE SYSTEM, THE FIRE SYSTEM MICROSWITCHES MUST BE FIELD WIRED.

LISTED COMMERCIAL APPLIANCE OUTLET CENTER
 ELECTRICAL RATINGS: 120V, 1PHASE, 60HZ, 15A
 FILE #E319261

Wiring Diagram Code: _____
 DOC NUMBER: ##### REV: #####

Kitchen Fan Control Center (XFCC) Electrical - Field Wiring Schematic TARANTULA HILL BREWERY

POWER WIRING FOR XFCC CONTROL SYSTEM

FIELD WIRING FOR XFCC CONTROL SYSTEM

SENSOR LOCATIONS:

HOOD MARK	QTY	LOCATION
ITEM 53 - EXHAUST HOOD Section 1	1	CAPTURE TANK

Possible Sensor Locations:
 Shipped Loose for Field Installation
 Capture Tank
 Dust Collar

NOTE: ALL SENSORS TO BE WIRED INDEPENDENTLY

Panel Mark: CONTROLS
 Location: Ship Loose

SHUNT TRIP BREAKER IN BUILDING PANEL (PROVIDED BY OTHERS)

WIRE TO ALL HOOD LIGHTS TO OPERATE WITH LIGHT CIRCUIT 1 (1400W MAX)

MARK: ITEM 54 - EF-1 1.5 HP
 MARK: ITEM 54 - MUA-1 1 HP

* DRY CONTACTS ARE RATED UP TO 250VAC AND 8 AMPS

REVISION MILESTONE SCHEDULE:

No.	Date	Revision Description
1	2018-06-26	ISSUED FOR PLAN CHECK
2	2018-06-26	ISSUED FOR PLANNING REVIEW

STATUS: Project Status
 Project Issue Date: 6/21/2018 10:13:04 AM
 Scale: 3/4" = 1'-0"
 Drawn by: _____ Author
 Project Number: 17520

TARANTULA HILL BREWERY

PROJECT 5/23/2018

ACCUREX - SOUTHERN CA & HAWAII
 DAVID SPERLING@ACCUREX.COM
 (509)430-5326

MARK

CONSULTANT

ACCUREX

Rubenstein Architects

433 1/2 Main Street, B Steigando, CA 90045
 310.314.1234
 www.rubensteinarchitects.com

Tarantula Hill Brewing Company

244 E. Thousand Oaks Blvd
 Thousand Oaks, CA 91360

CONSULTANT

CHEF'S TOYS DESIGN GROUP

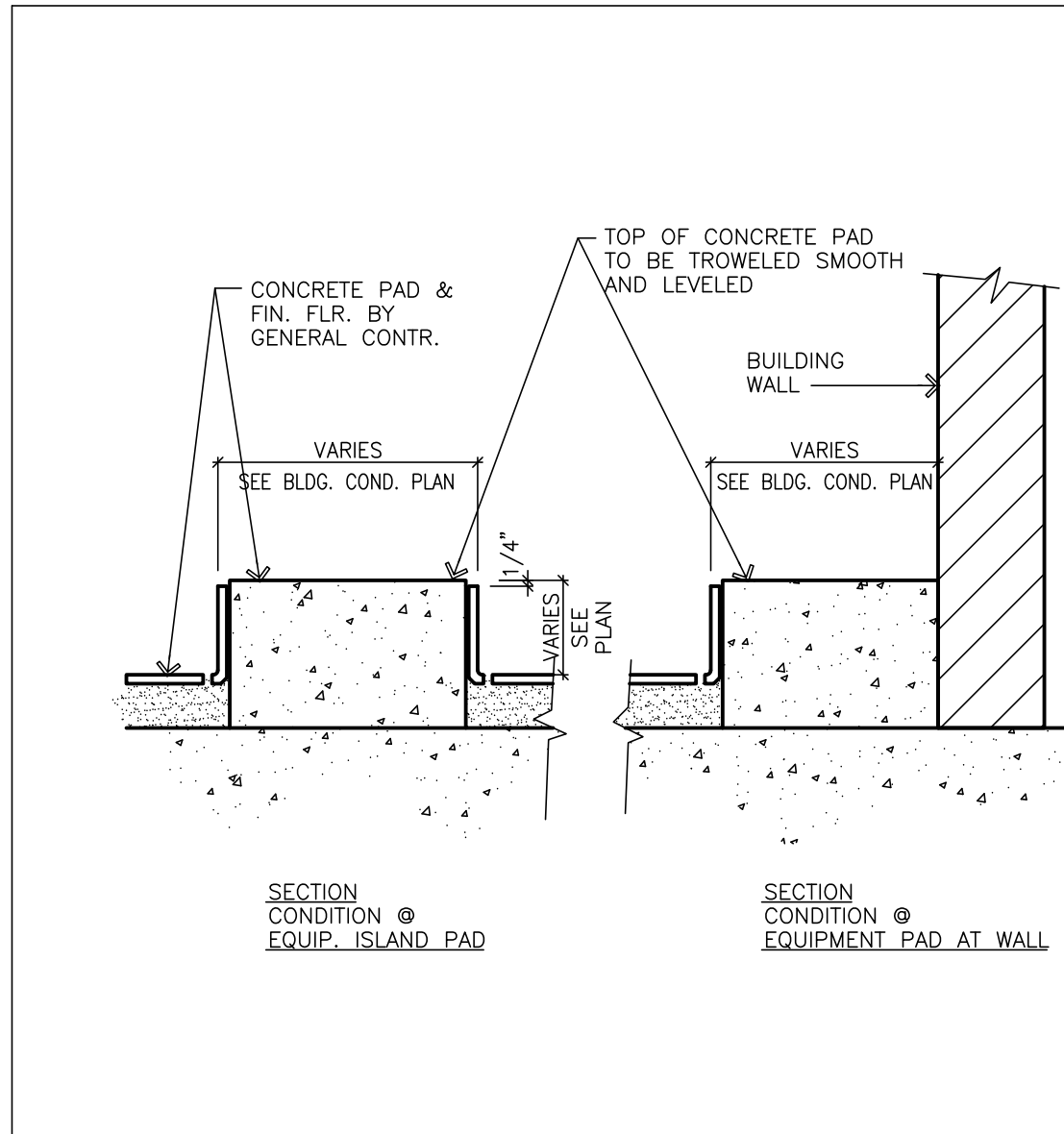
2000 Conover Ave
 Los Angeles, CA 90008
 (310) 400-1000
 info@chefsdesign.com

STAMP

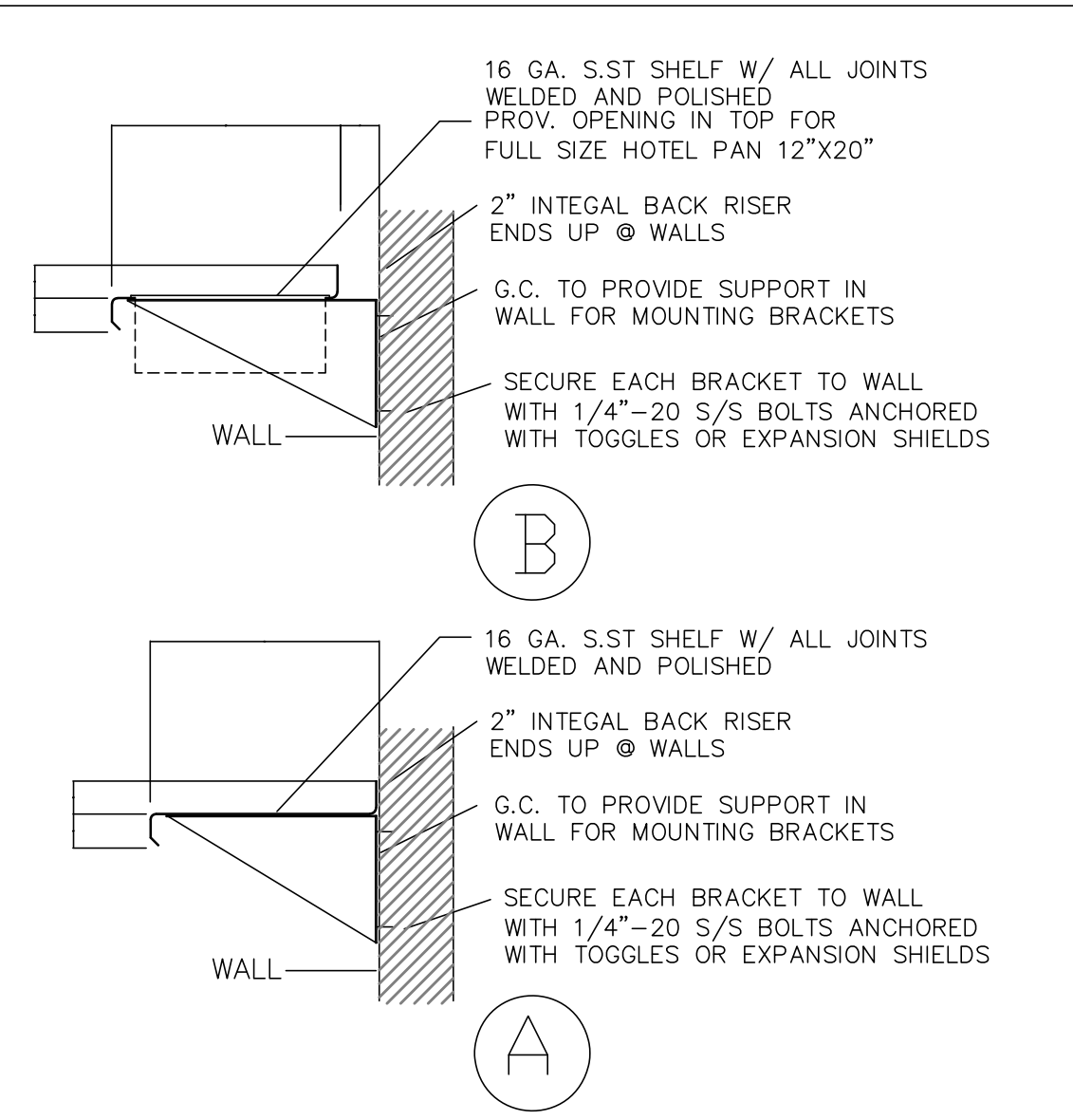
This document, and the ideas and designs incorporated herein, are an instrument of professional service in the project of Rubenstein Architects Inc. and is not to be used in whole or in part for any project other than the one described herein without the written authorization of Rubenstein Architects Inc. This document shall not be reproduced or modified in any way without the expressed written consent of Rubenstein Architects Inc. All drawings, specifications as well as the ideas and concepts described herein are under the protection of all applicable copyright laws.

NOT FOR CONSTRUCTION

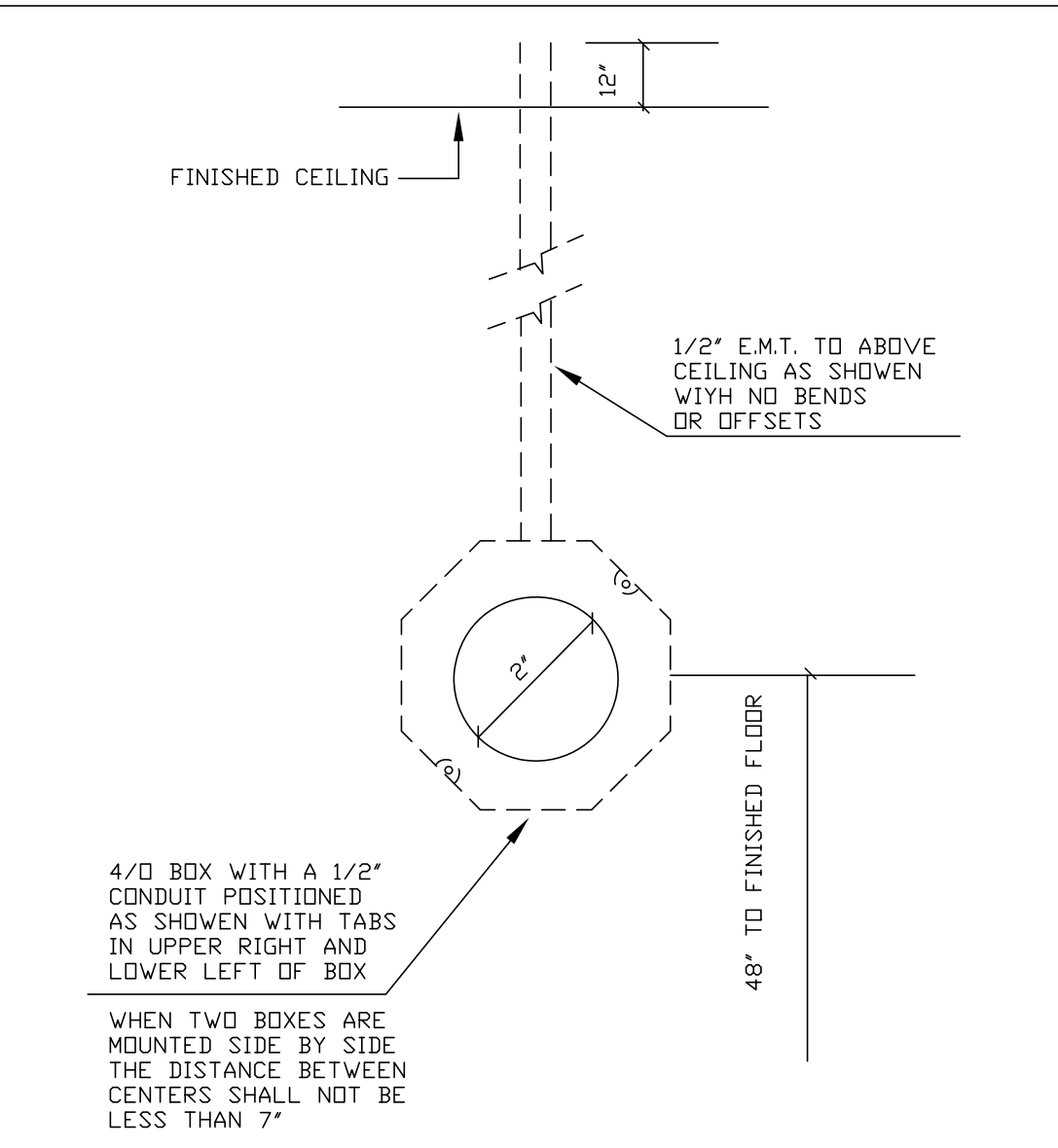
K-8.4



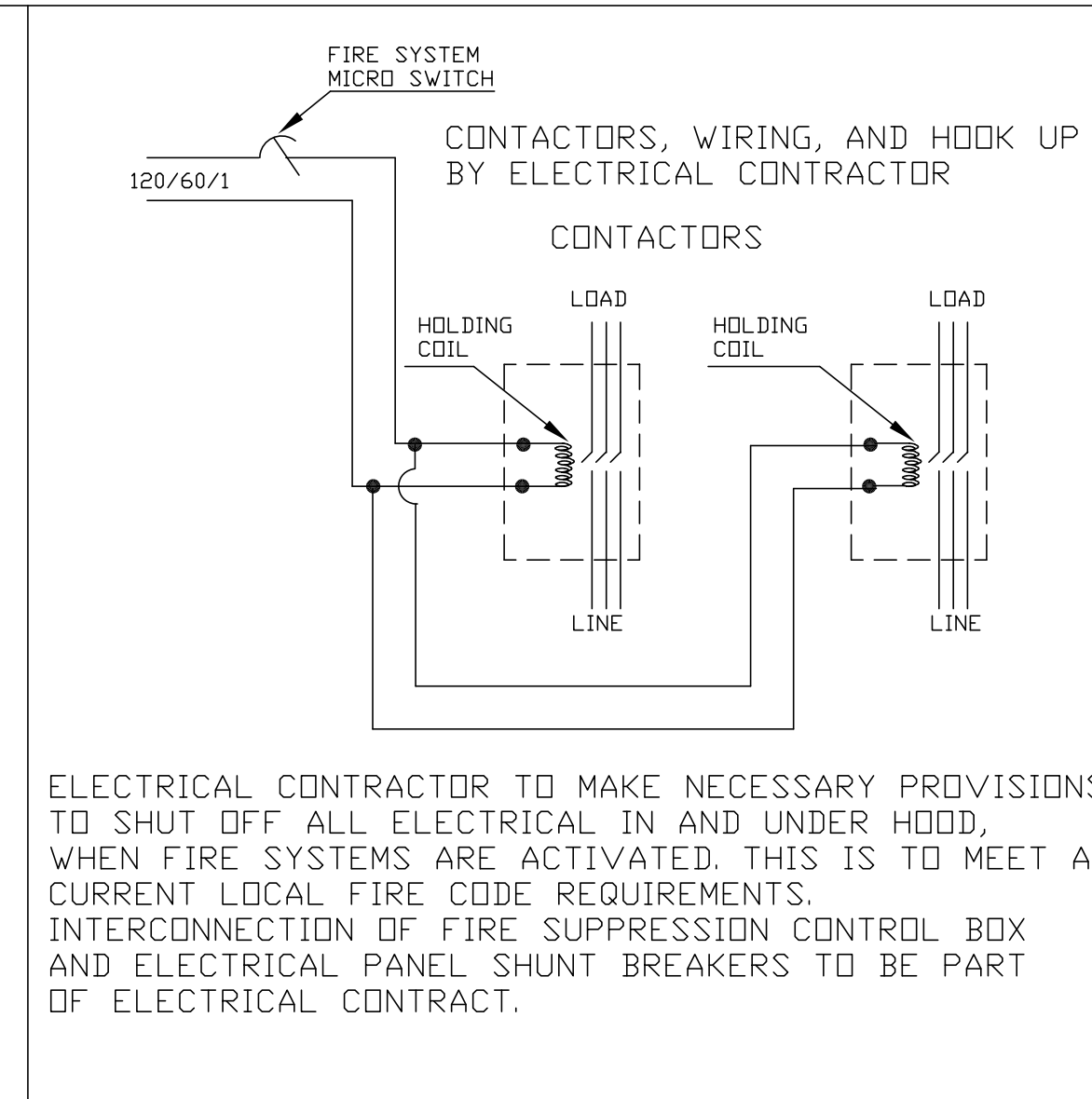
CONCRETE BASE DETAIL N



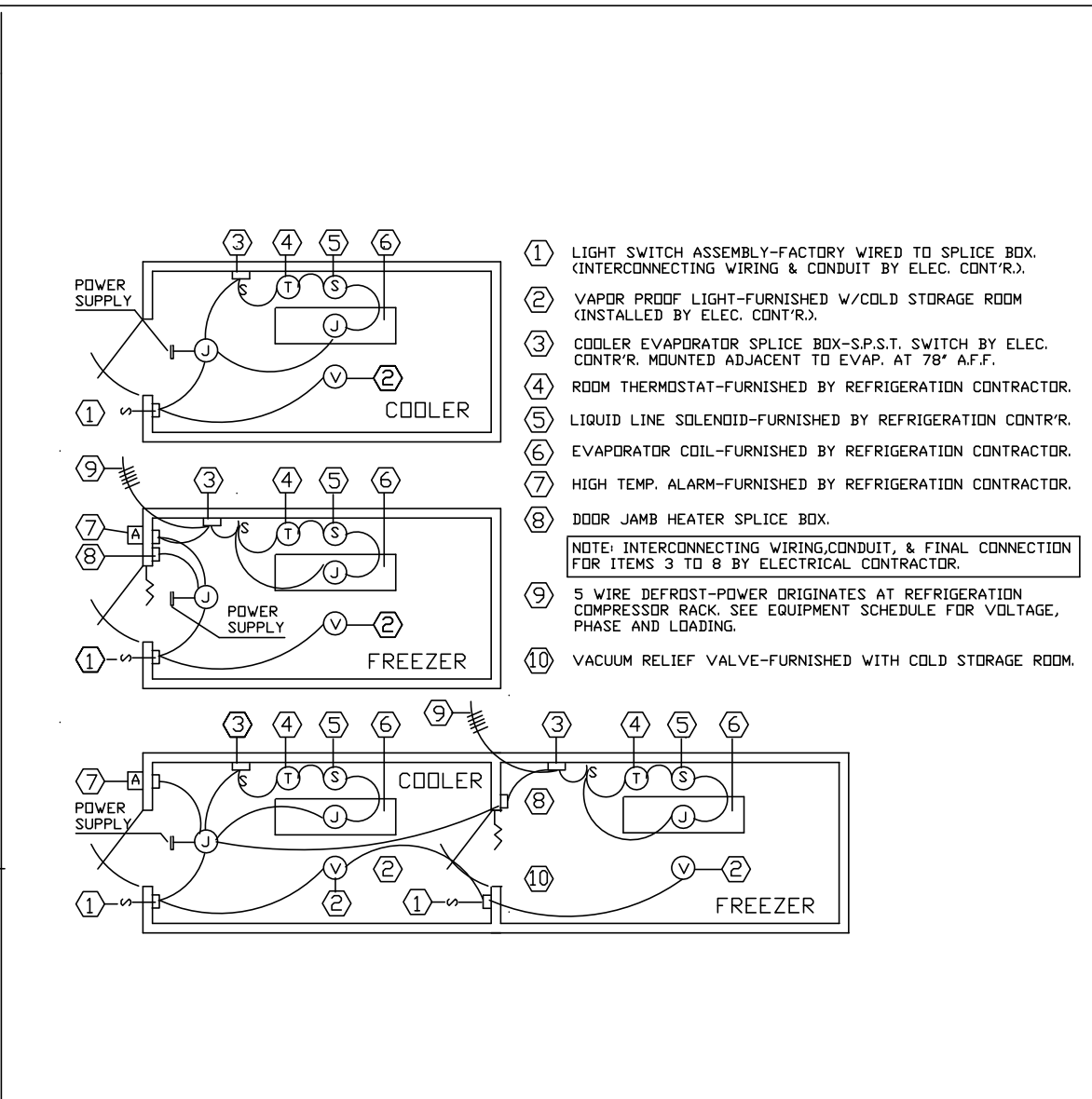
WALL SHELF DETAIL K



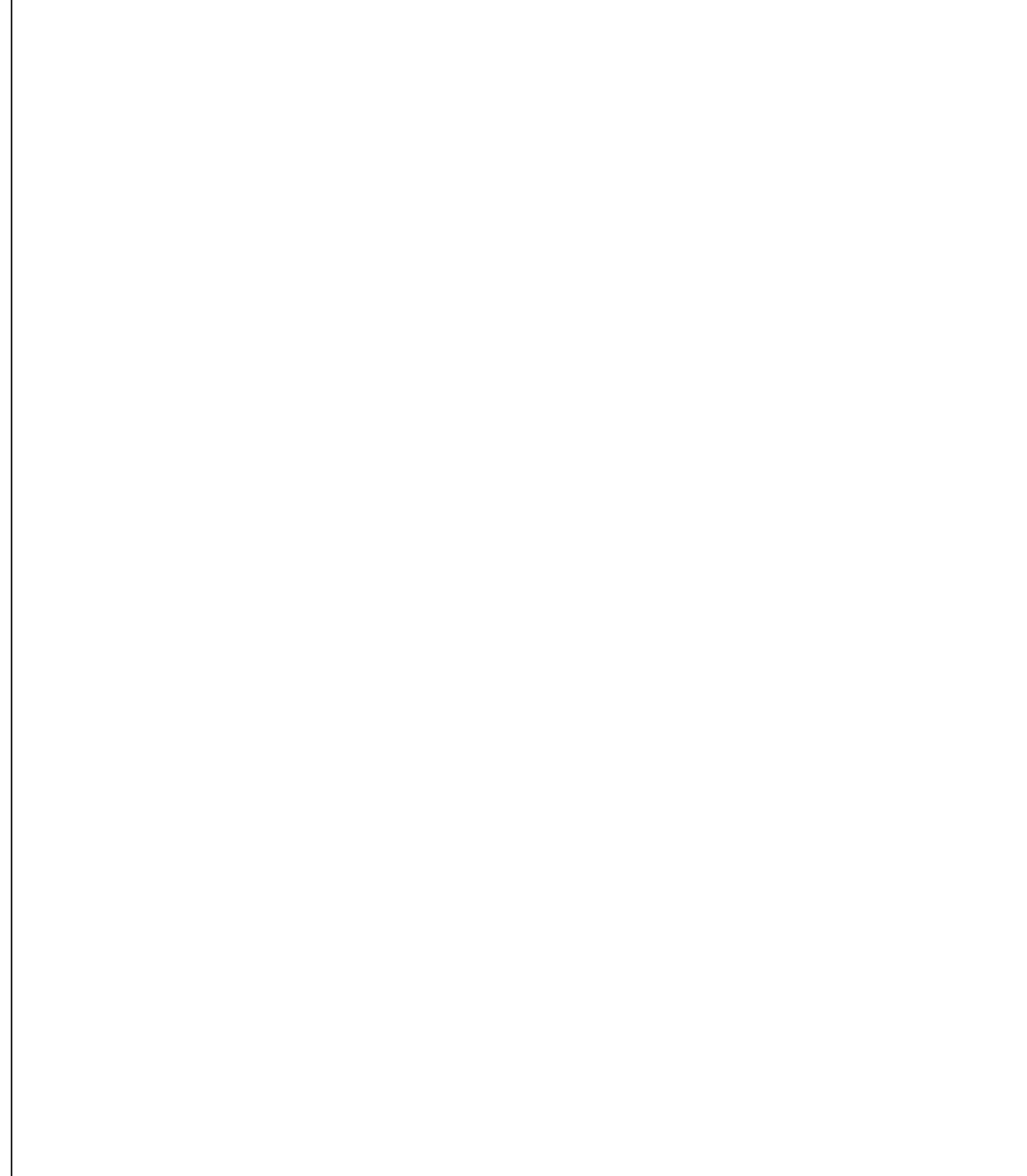
REMOTE FIRE PULL G



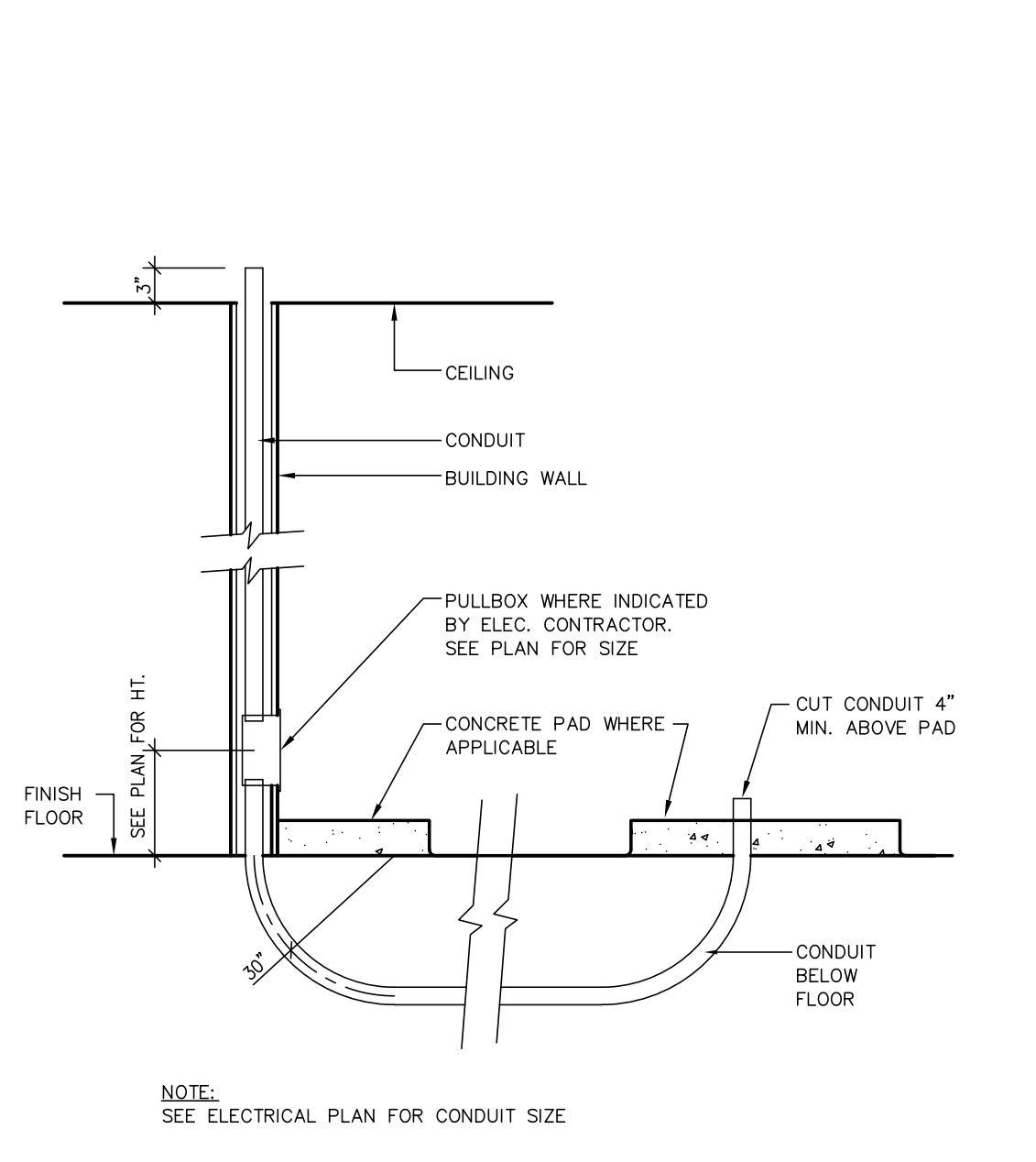
WIRING SCHEMATIC FIRE SYS D



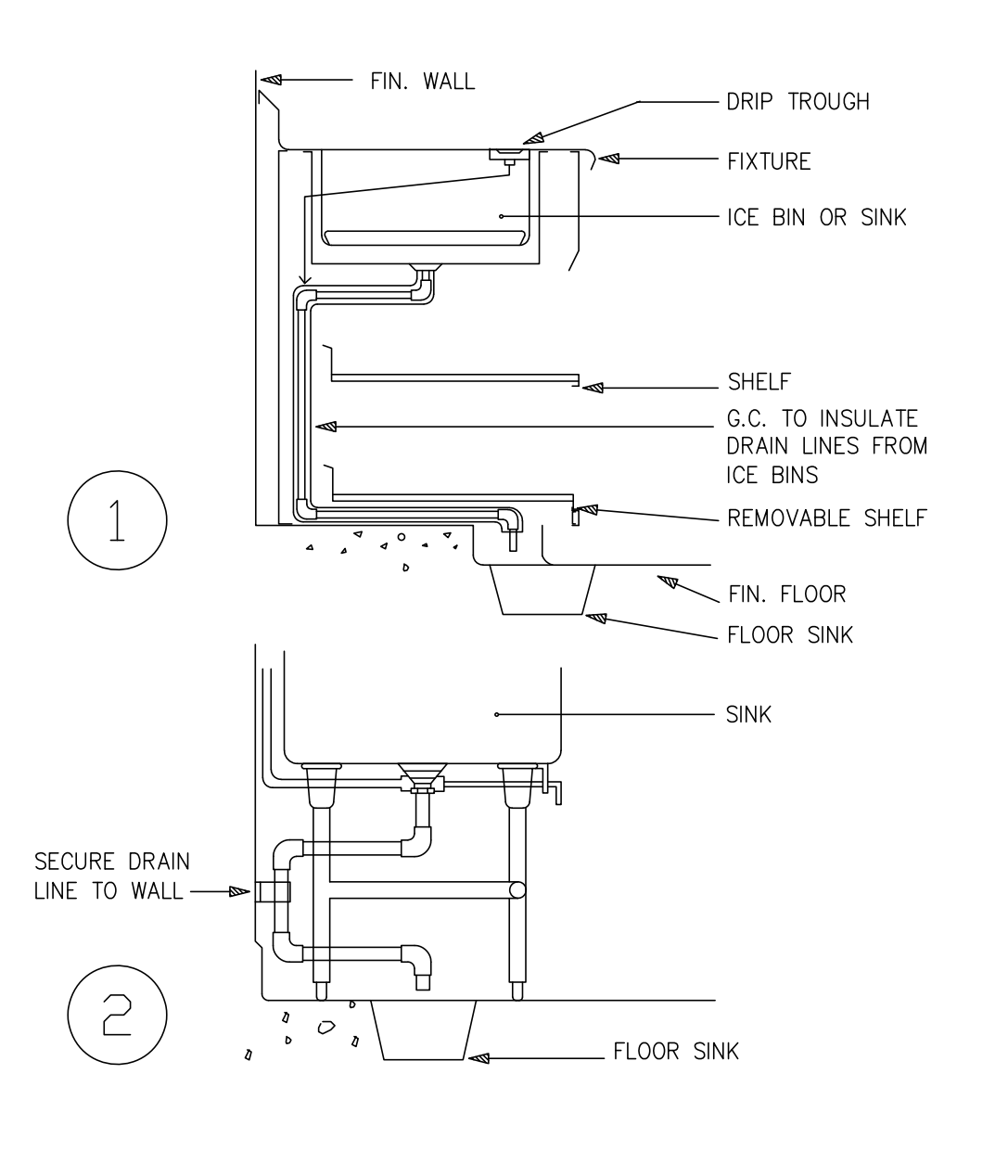
C.S.R. WIRING DIAGRAM A



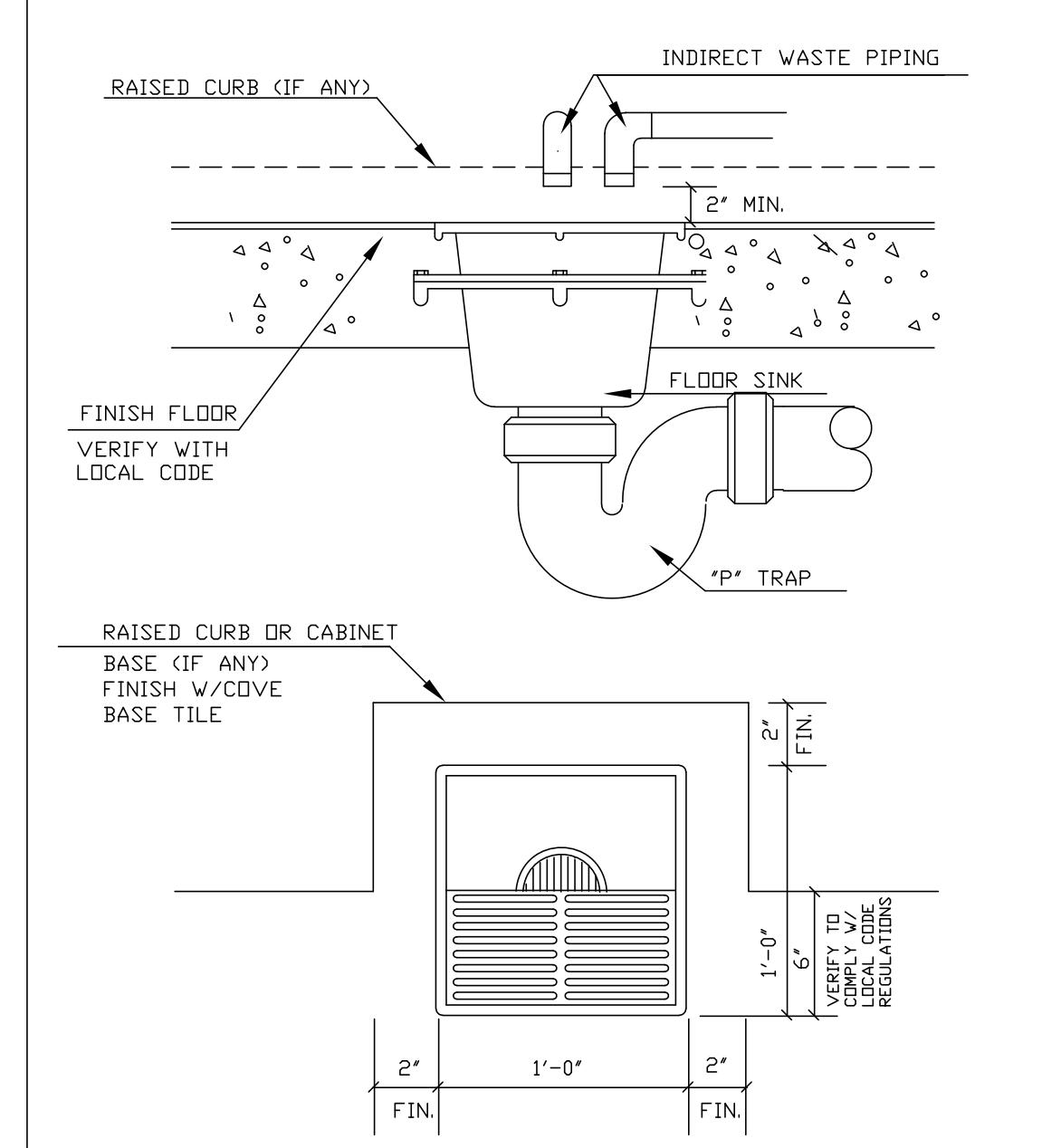
REFRIGERATION CONDUIT LINE RUN P



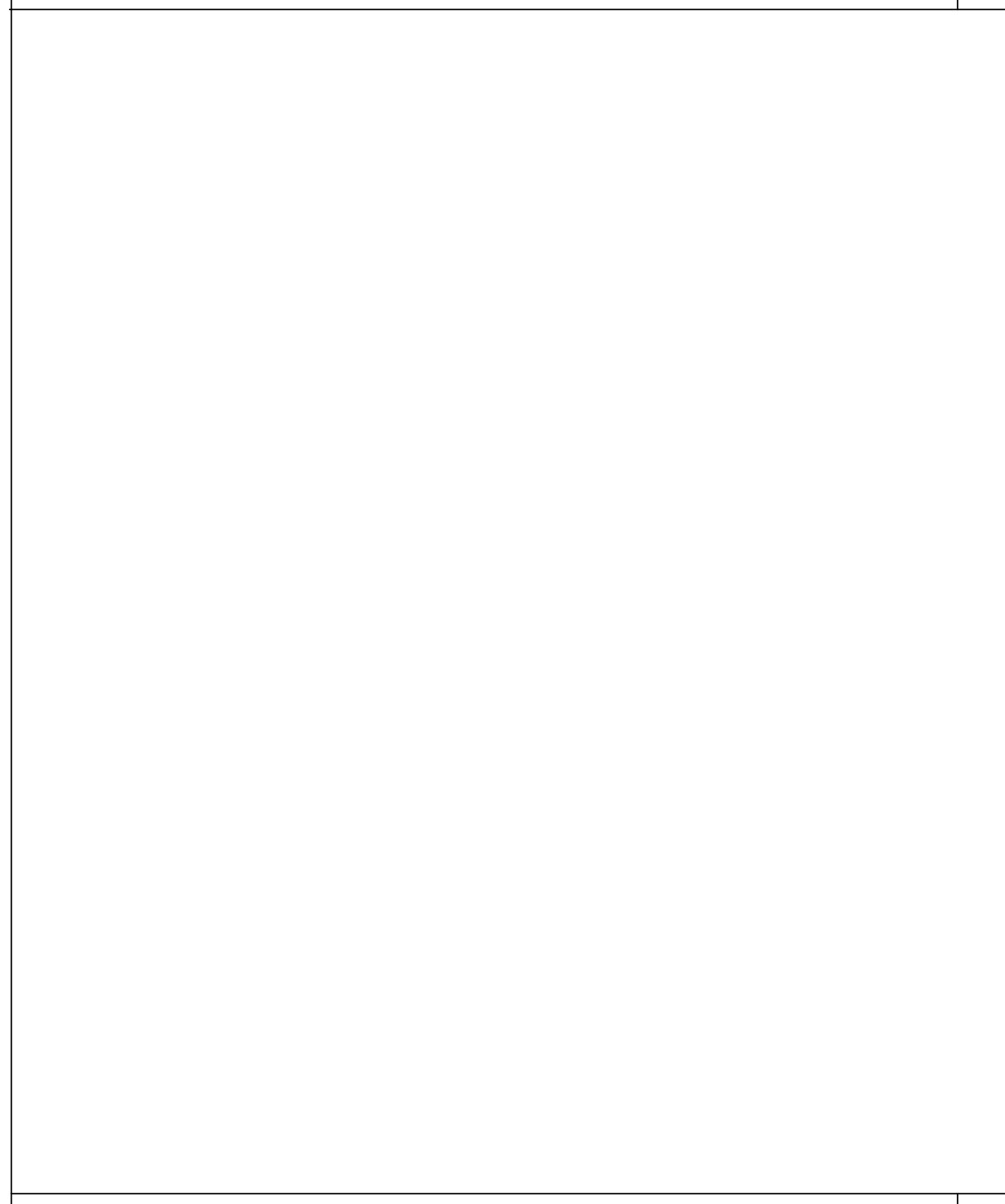
INDIRECT WASTE DETAIL H



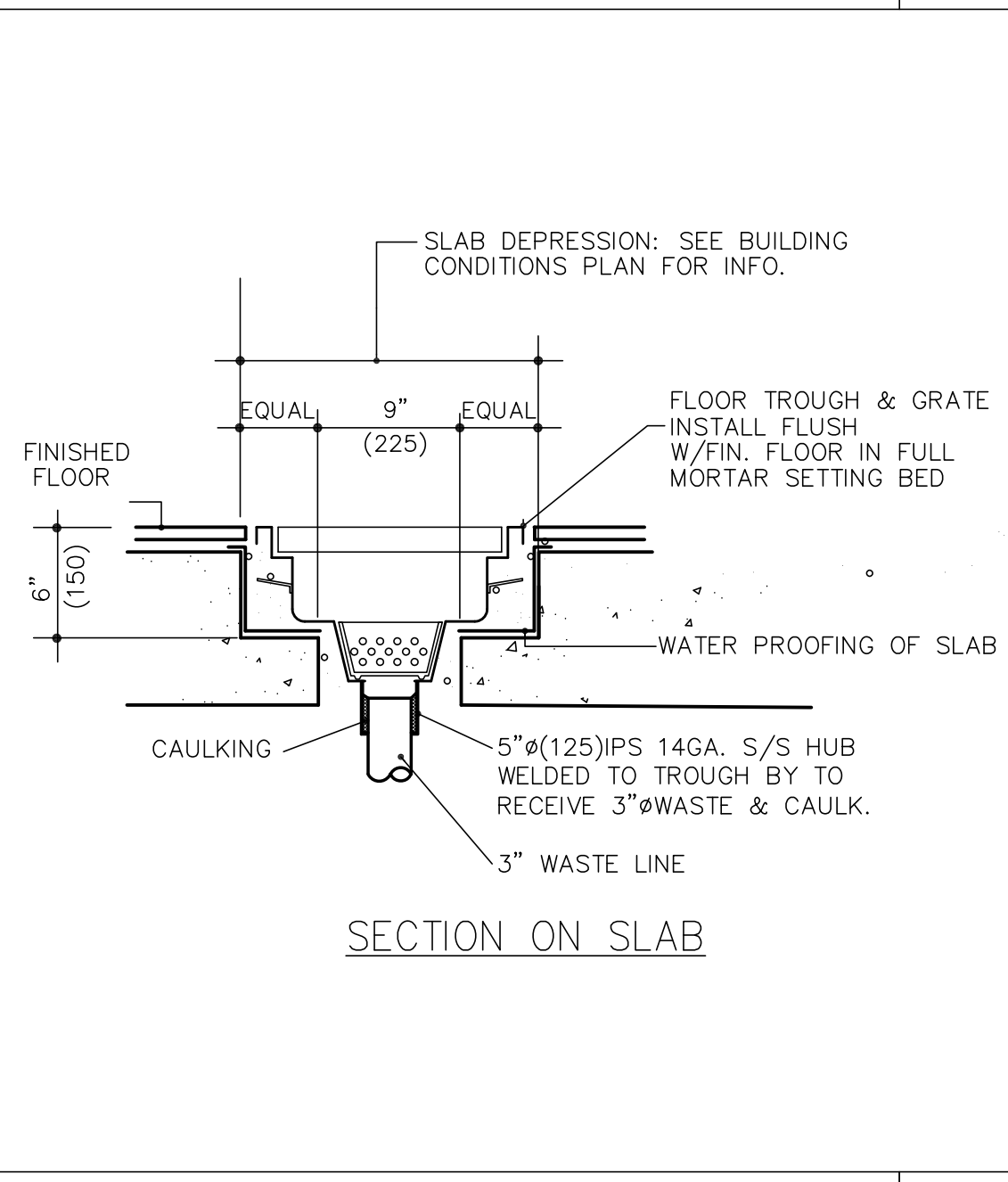
TYPICAL FLOOR SINK E



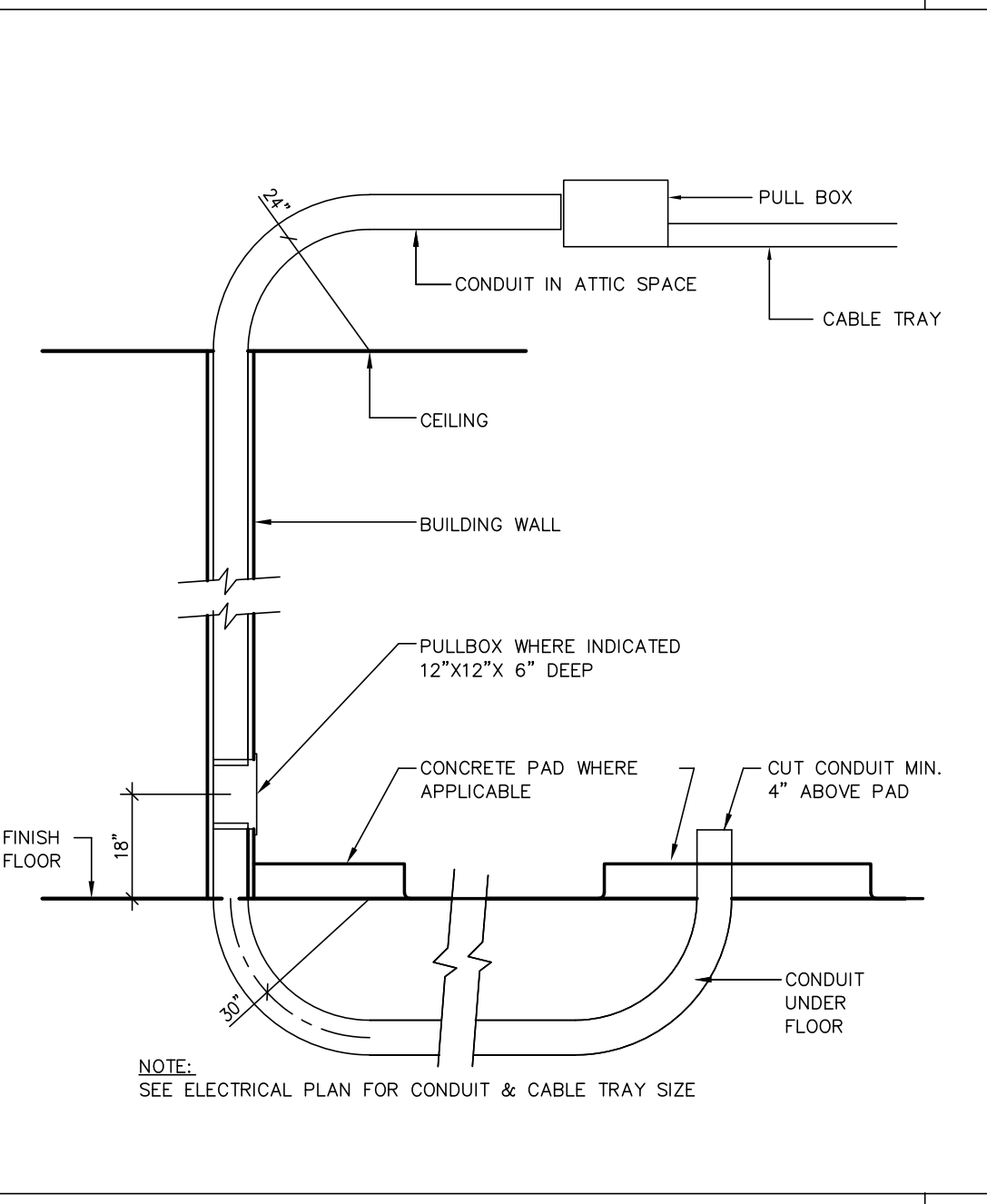
CHANNEL BASE B



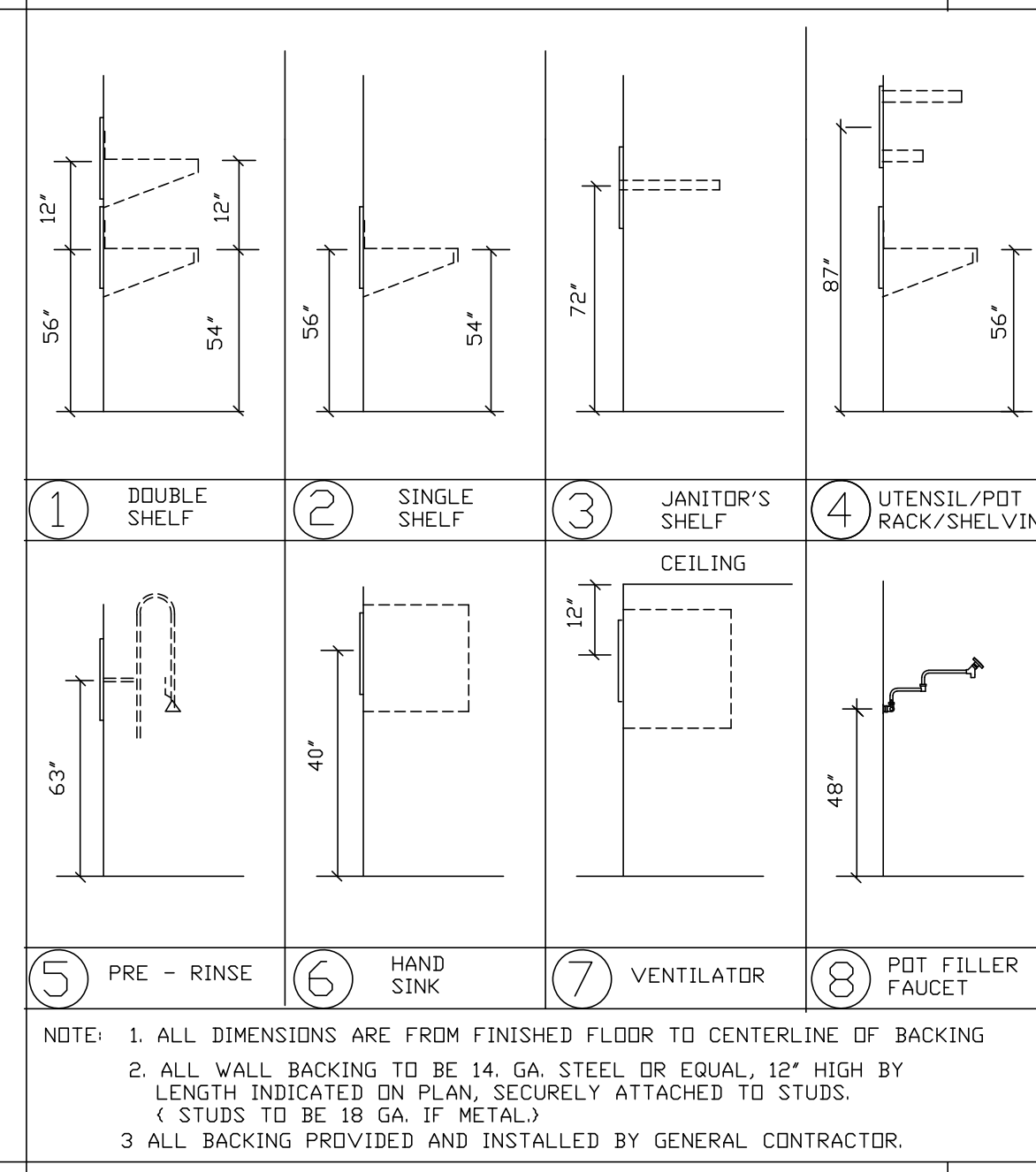
FLOOR TROUGH DETAIL M



BEVERAGE CONDUIT DETAIL J



WALL BACKING DETAILS F



HOOD ROD HANGER DETAIL C

Rubenstein Architects

433 1/2th Street, #2100
San Francisco, CA 94104
www.rubensteinarchitects.com

CONSULTANT

CHEF'S TOYS DESIGN GROUP

1000 California Street, Suite 1000
San Francisco, CA 94109
Tel: 415.774.1000
www.chefstoysgroup.com

Tarantula Hill Brewing Company

244 E. Thousand Oaks Blvd
Thousand Oaks, CA 91360

Revision No.	Date	Description
1	2018-05-25	ISSUED FOR PLANNING REVIEW
2	2018-05-25	ISSUED FOR PLANNING REVIEW

REVISION MILESTONE SCHEDULE:

ISSUED FOR PLANNING CHECK

ISSUED FOR PLANNING REVIEW

STAMP

This document, and the ideas and designs incorporated herein, are an instrument of professional service in the property of Rubenstein Architects Inc. and is not to be used in whole or in part for any project other than the one described herein without the written authorization of Rubenstein Architects Inc. This document shall not be reproduced or modified in any way without the expressed written consent of Rubenstein Architects Inc. All drawings, specifications as well as the ideas and concepts described herein are under the protection of all applicable copyright laws.

Status: Project Status

Project Issue Date: 6/21/2018 10:13:04 AM

Scale: No Scale

Drawn by: Author

Project Number: 17520

Details & Sections

KD

NOT FOR CONSTRUCTION

BIM 360://17520 Tarantula Hill Brewing Company/17520_TarantulaHillBrewingCompany_v01_00.rvt

